

FISH SCALE INTERCEPTOR



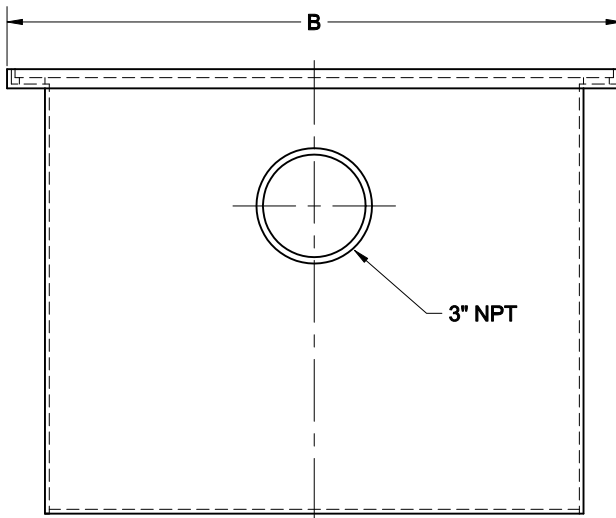
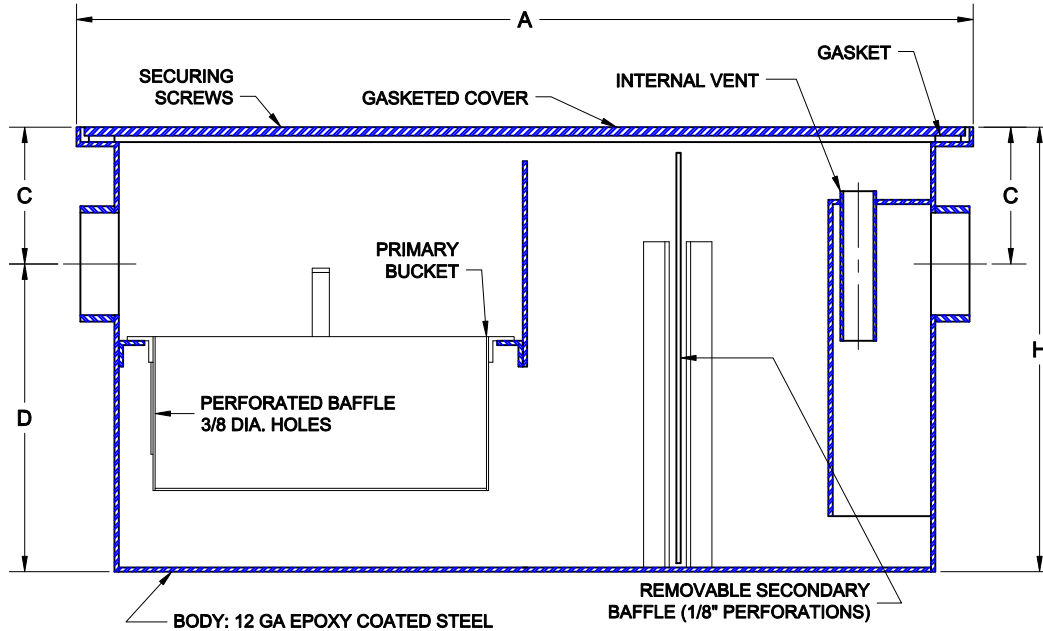
Approval Date
Customer Approval
Job Location
Job Name

Wade Division / Tyler Pipe Assumes No Responsibility For Superseded or Voided Data

Dimensional Data (Inches/mm) are Subject to Manufacturers Tolerance and Change Without Notice.

5700

COMMERCIAL FISH SCALE INTERCEPTOR WITH EPOXY COATED STEEL BODY, SEDIMENT BASKET WITH PERFORATED PRIMARY BAFFLE, SECONDARY REMOVABLE PERFORATED BAFFLE, NO-HUB INLET/OUTLET, AND NON SKID SECURED STEEL COVER.



✓	MODEL NUMBER	PIPE SIZE	FLOW RATE (GPM)	A	B	C	D	H	COVER(S) (QTY)
	5700-35	2	35	29	20	3	17	20	1
	5700-40	3	40	29	20	4	20	24	1
	5700-80	3	80	34	26	4	26	30	2
	5700-110	3	110	37	28	4	28	32	2
	5700-160	6	160	55	26	8	30	36	2
	5700-215	6	215	67	28	8	32	40	3
	5700-305	6	305	67	28	8	44	52	3
	5700-405	6	405	67	30	8	48	56	3
	5700-505	6	505	67	40	8	50	58	3
	5700-750	6	750	92	40	8	54	62	4
	5700-1020	6	1020	98	50	8	54	62	4
	5700-1535	6	1535	98	50	8	80	88	4

OPTIONS

Suffix	Description
<input type="checkbox"/> SS	ALL STAINLESS STEEL CONSTRUCTION
<input type="checkbox"/> XT	INTEGRAL EXTENSION
<input type="checkbox"/> HD	HEAVY DUTY REINFORCED COVER
<input type="checkbox"/> 24	ANCHOR FLANGE
<input type="checkbox"/> 26	ANCHOR FLANGE W/ CLAMP DEVICE
<input type="checkbox"/> IPS	THREADED INLET/OUTLET

AutoCad.dwg