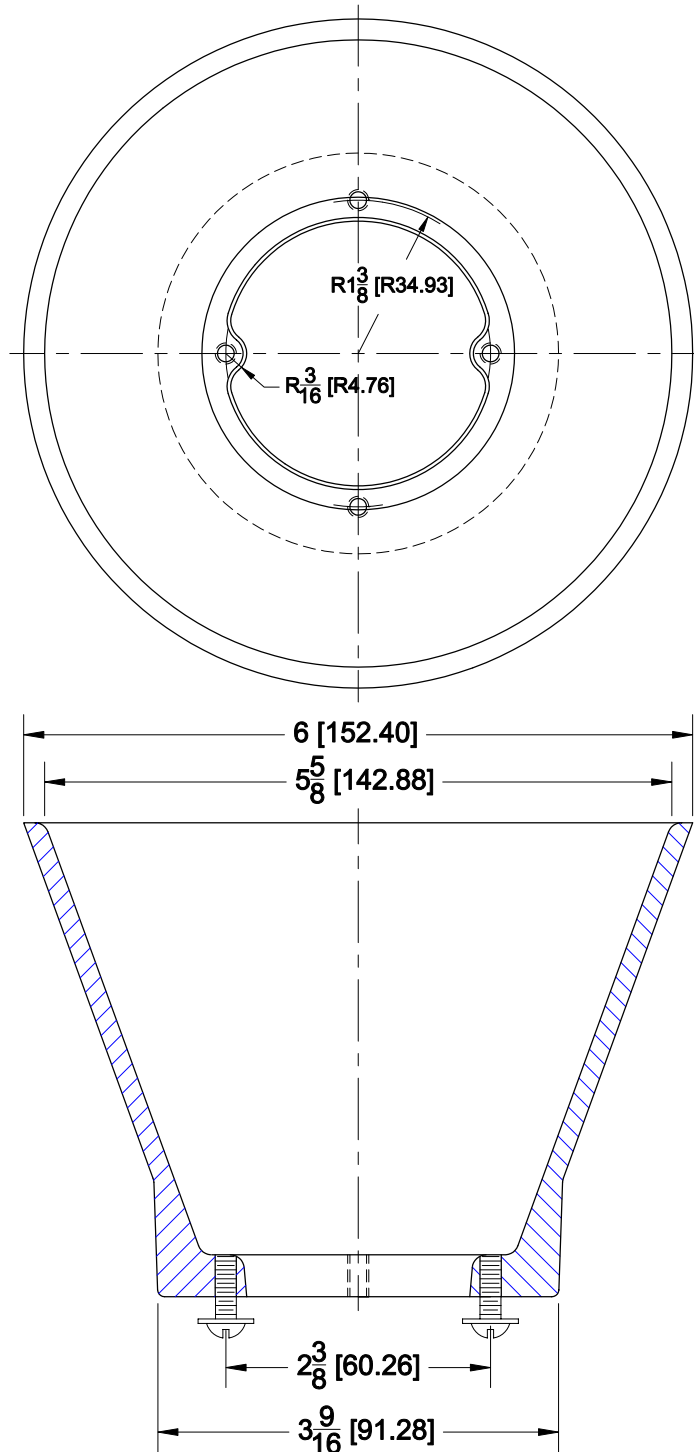


FUNNEL



EF6

SATIN NICKEL BRONZE OR PAINTED CAST IRON FUNNEL WITH 1/4-20NC SCREWS & WASHERS FOR ATTACHMENT TO FLOOR DRAIN GRATES



OPTIONS

| Suffix | Description |
|--------|----------------------------|
| 1 | SATIN FINISH NICKEL BRONZE |
| CI | PAINTED CAST IRON |
| SS | 304 STAINLESS STEEL |

AutoCad.dwg