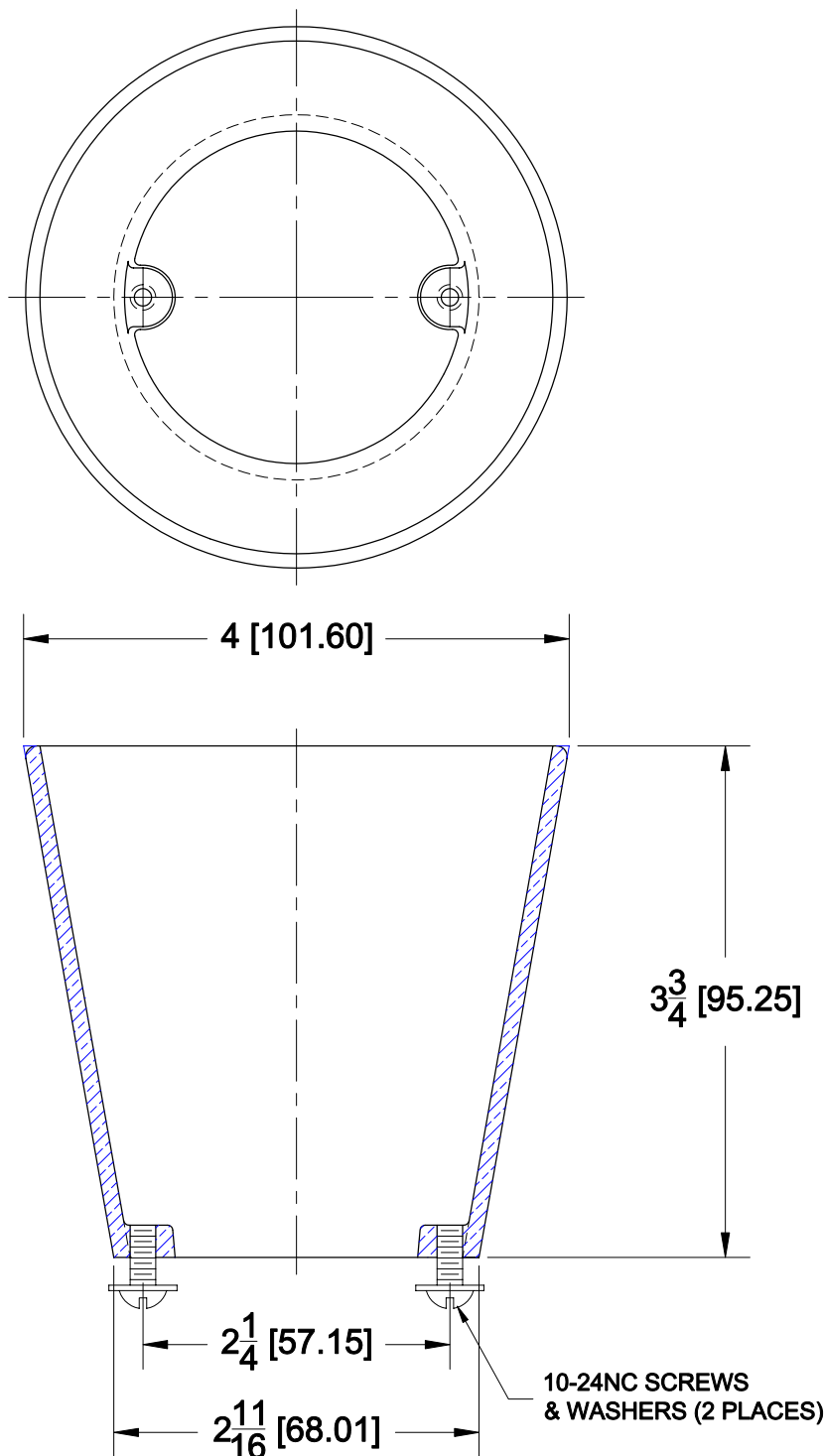


FUNNEL



EF4

SATIN NICKEL BRONZE OR PAINTED CAST IRON FUNNEL WITH 1/4-20NC SCREWS & WASHERS FOR ATTACHMENT TO FLOOR DRAIN GRATES



OPTIONS

Suffix	Description
1	SATIN FINISH NICKEL BRONZE
CI	PAINTED CAST IRON
SS	304 STAINLESS STEEL

AutoCad.dwg