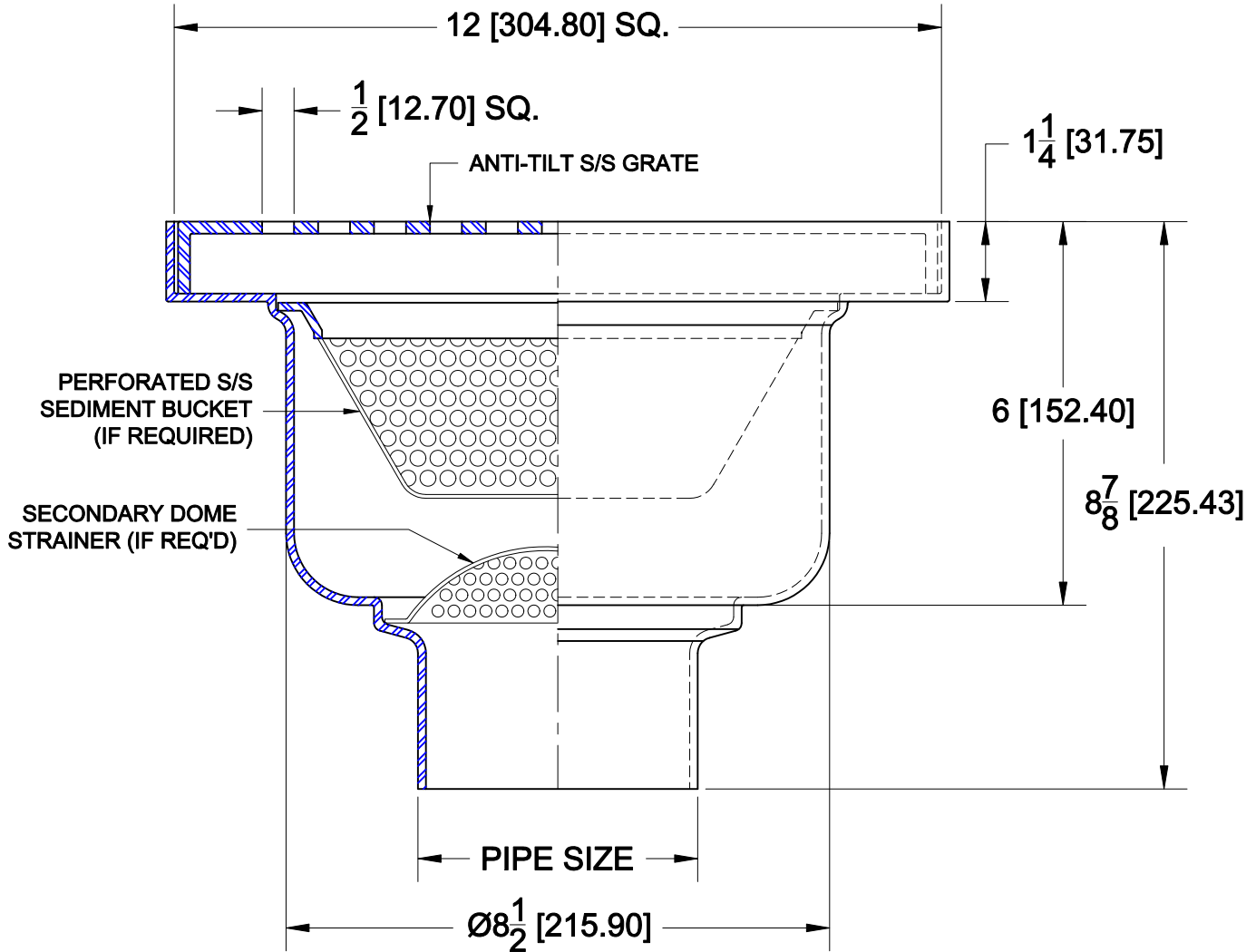


FLOOR SINKS - STAINLESS STEEL



9100

TYPE 304 STAINLESS STEEL 12" SQUARE FLOOR SINK WITH NON-TILT S/S GRATE, 6" DEEP ROUND SUMP, PERFORATED & BOTTOM OUTLET.



			OPTIONS	
Cat. No.	Pipe Size	Wt. Lbs.	Suffix	Description
<input type="checkbox"/> 9102	2 (50)	13.0	<input type="checkbox"/> 9	SECONDARY DOME STRAINER
<input type="checkbox"/> 9103	3 (75)	13.0	<input type="checkbox"/> 15	HALF GRATE
<input type="checkbox"/> 9104	4 (100)	13.0	<input type="checkbox"/> 16	THREE-QUARTER GRATE
<input type="checkbox"/> 9106	6 (100)	13.0	<input type="checkbox"/> 18	SOLID COVER
OUTLETS			<input type="checkbox"/> 27	SEDIMENT BUCKET
			<input type="checkbox"/> 155	XH BAR GRATE (7,500-10,000 LBS)
Suffix		Description		
<input type="checkbox"/> NH	NO-HUB			
<input type="checkbox"/> TY	TY-SEAL			

AutoCad.dwg