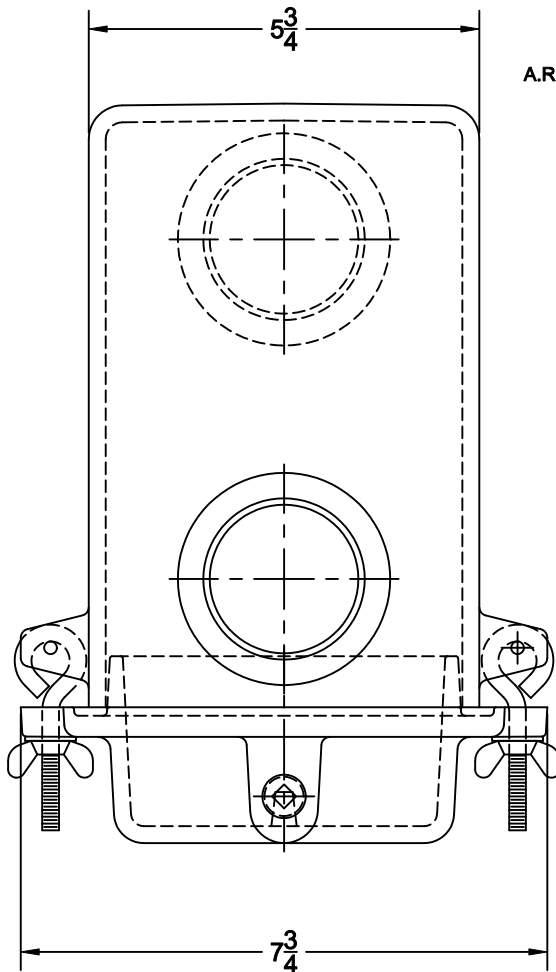
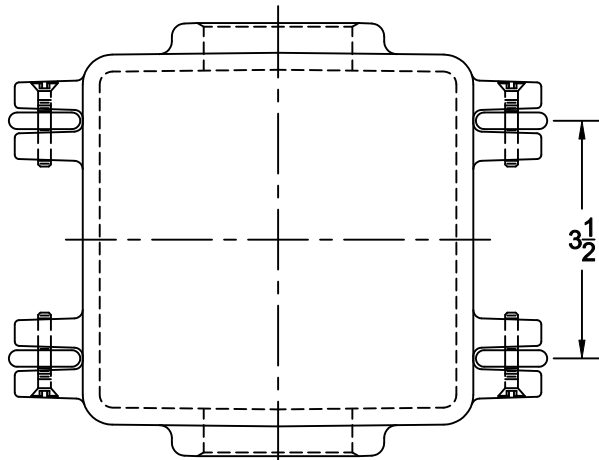


SOLIDS INTERCEPTOR

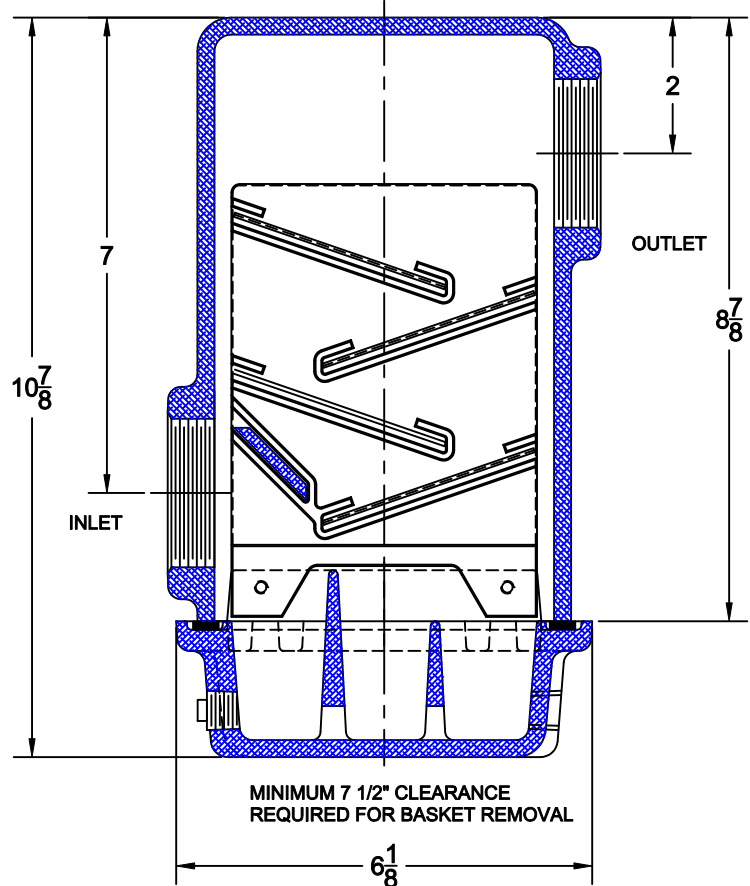


5730

CAST ALUMINUM SOLIDS INTERCEPTOR WITH GASKETED COVER, CAST BRONZE SCREEN HOLDERS, A.R.E. PAINTED COATING, S/S PERFORATED SCREEN ELEMENTS, NPT DRAIN PLUG AND THREADED INLET/OUTLET.



A.R.E. COATED BODY



OPTIONS

Cat. No.	Pipe Size	Wt. Lbs.
5732	2	10.0

Suffix	Description
63	A.R.E. EPOXY POWDER COATING
RB	SET (4) REPLACEMENT SCREENS

AutoCad.dwg