

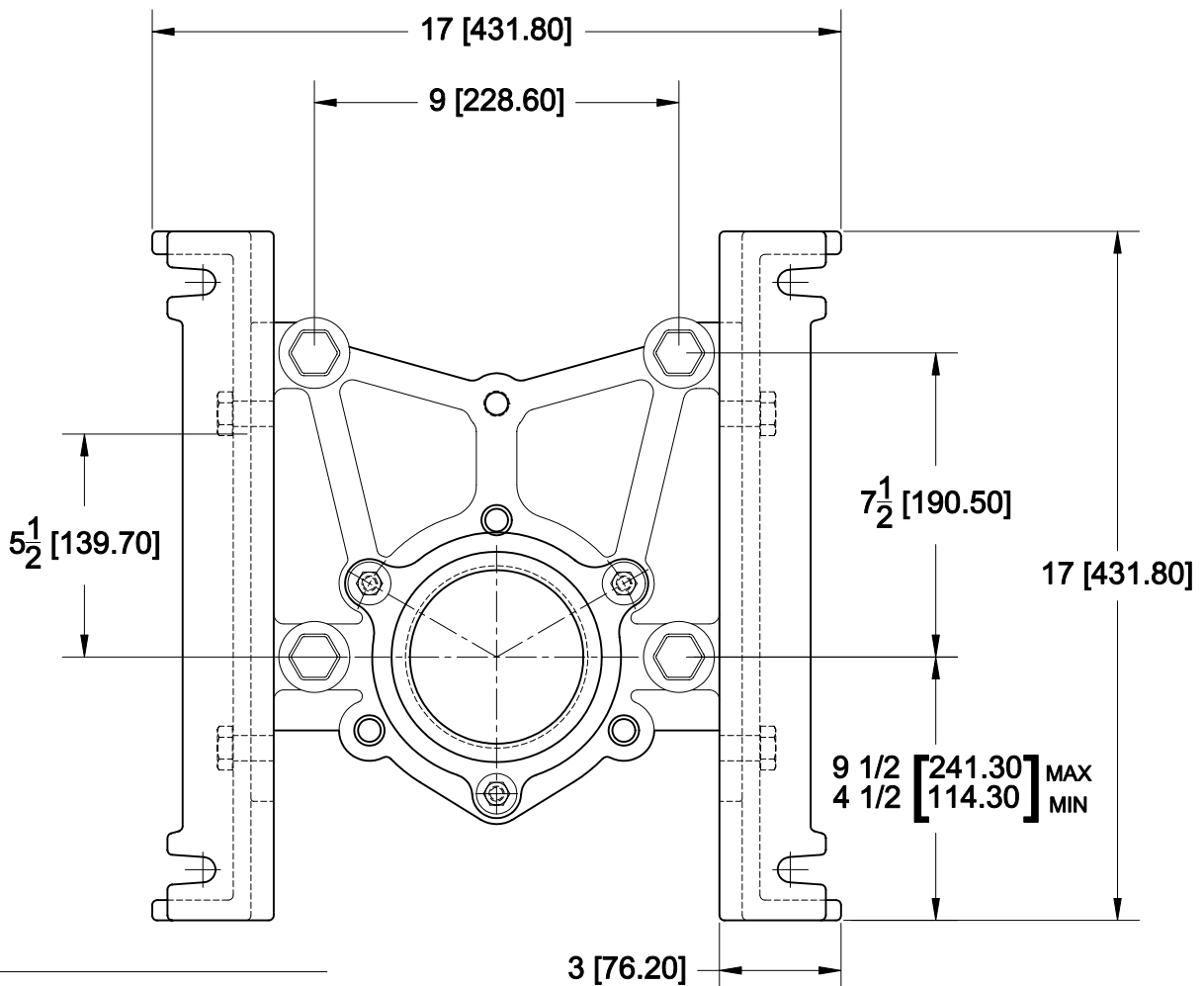
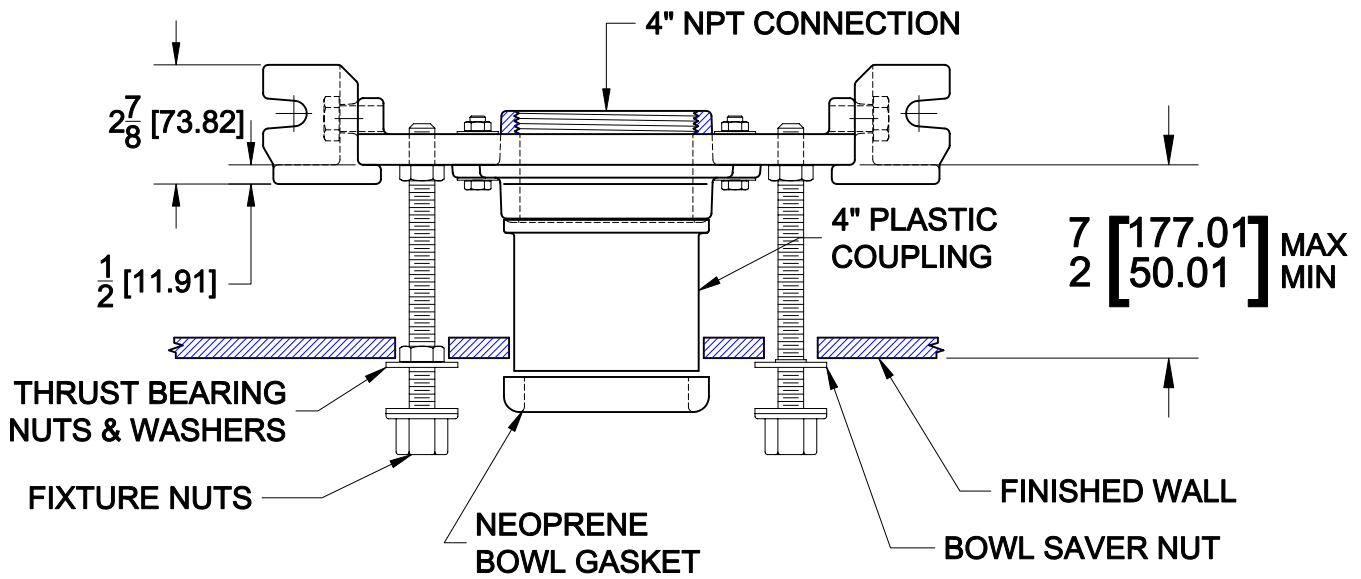
CLOSET CARRIER



410 SERIES

VERTICAL FIXED OFFSET CLOSET CARRIER WITH FACEPLATE, 7" LONG CLOSET COUPLING, THREADED RODS, ADJUSTABLE FEET & FINISH HARDWARE FOR SINGLE CARRIERS.

CONFORMS TO ASME A112.6.1M



CAT.NO.	WT.LB.
□ 410 (SINGLE)	40.0

AutoCad.dwg