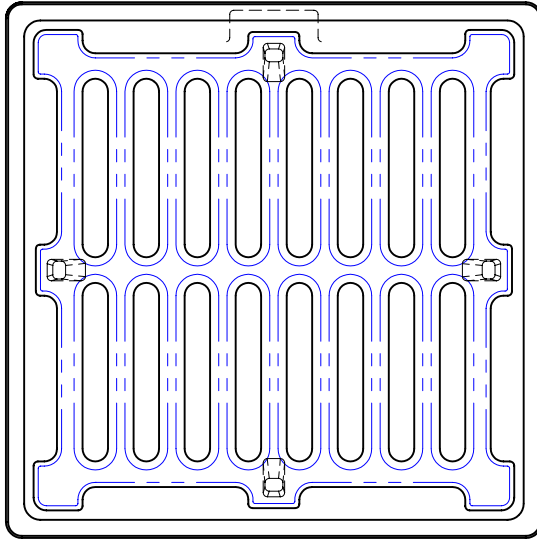


FLOOR SINKS - SQUARE

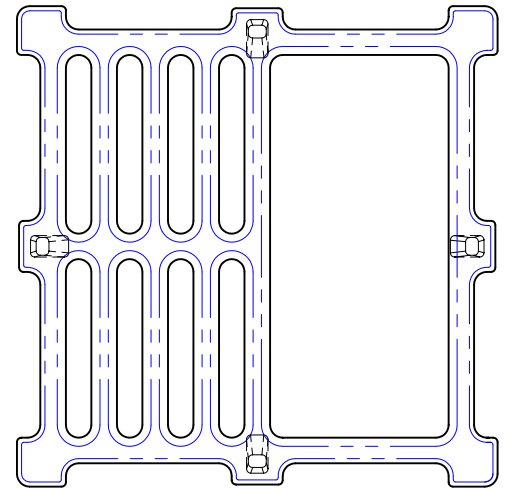


9110-LF-64

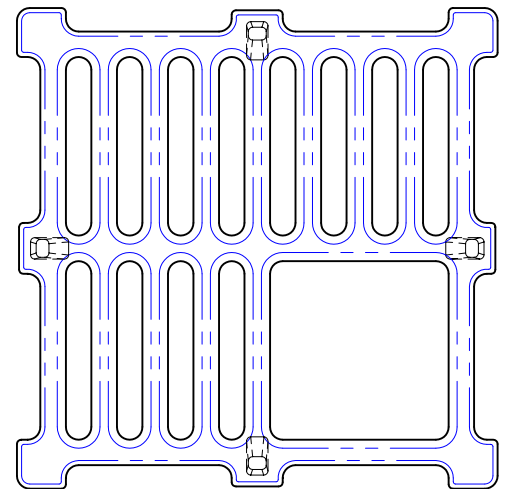
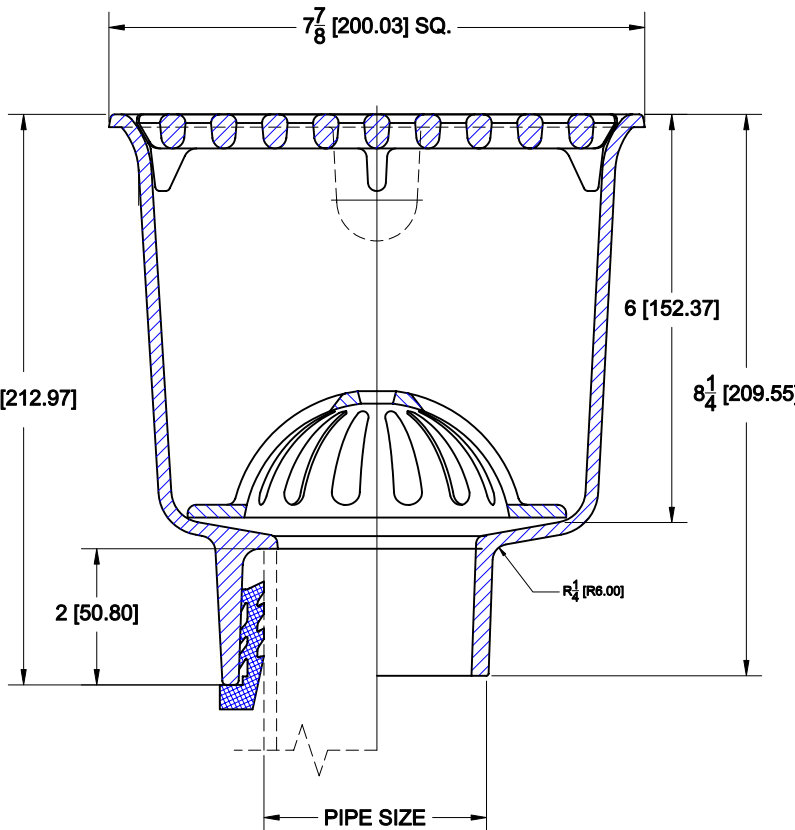
CAST IRON 8" SQUARE FLOOR SINK WITH 6" DEEP SUMP, A.R.E. INTERIOR, ALUMINUM DOME BOTTOM STRAINER AND A.R.E. COATED FULL GRATE.



FULL GRATE



1/2 GRATE



3/4 GRATE

OPTIONS

Cat. No.	Pipe Size	Wt. Lbs.	Suffix	Description
<input type="checkbox"/> 9112-LF-64	2 (50)	25.0	<input type="checkbox"/> 1	SATIN NICKEL BRONZE TOP
<input type="checkbox"/> 9113-LF-64	3 (75)	25.0	<input type="checkbox"/> 6	TRAP PRIMER CONNECTION (1/2" NPT)
<input type="checkbox"/> 9114-LF-64	4 (100)	25.0	<input type="checkbox"/> 27	ALUMINUM SEDIMENT BUCKET

OUTLETS

<input type="checkbox"/> NH	<input type="checkbox"/> NO-HUB	<input type="checkbox"/> TY	<input type="checkbox"/> TY-SEAL	<input type="checkbox"/>	<input type="checkbox"/>
-----------------------------	---------------------------------	-----------------------------	----------------------------------	--------------------------	--------------------------

AutoCad.dwg