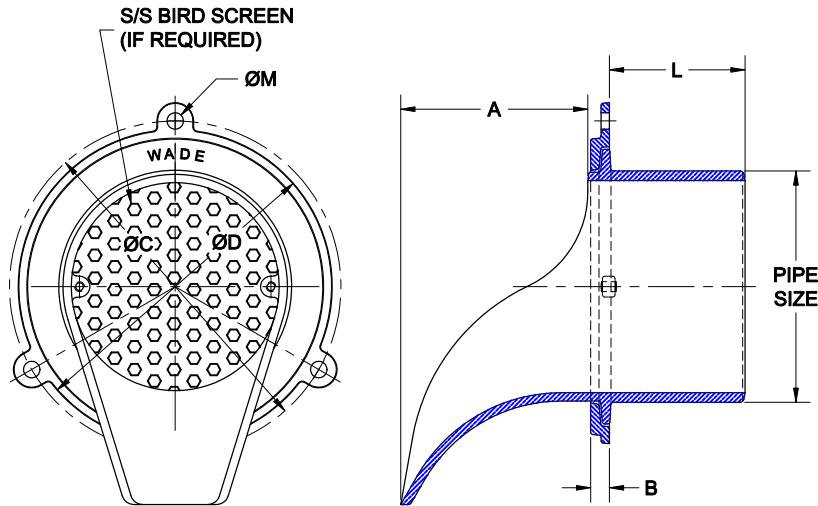


DOWNSPOUT NOZZLE



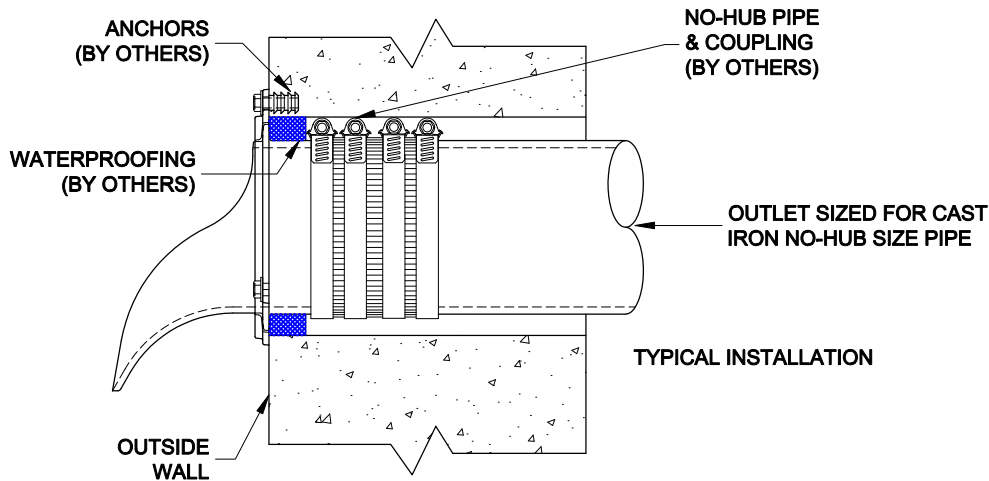
3940-NH-SH

NICKEL BRONZE DOWNSPOUT NOZZLE WITH NO-HUB INLET, PLAIN FINISH BODY, OUTLET TONGUE AND SECURING RING WITH SATIN FINISH FACE.



END VIEW

✓	PIPE SIZE	A	B	C	D	L	M
	2 (50)	2 3/8 (60)	5/16 (9)	4 3/8 (111)	4 (101)	2 (50)	5/16 (8)
	3 (75)	3 (75)	5/16 (9)	5 3/8 (137)	5 (127)	2 (50)	5/16 (8)
	4 (100)	3 1/2 (90)	5/16 (9)	6 1/4 (159)	6 (151)	2 (50)	5/16 (8)
	5 (125)	3 1/2 (90)	1/2 (13)	8 (203)	7 1/2 (191)	2 1/2 (63)	7/16 (11)
	6 (150)	3 1/2 (90)	1/2 (13)	9 (229)	8 1/2 (217)	2 1/2 (63)	7/16 (11)
	8 (200)	3 1/2 (90)	1/2 (13)	11 1/8 (283)	10 9/16 (269)	2 1/2 (63)	7/16 (11)
	10 (250)	3 1/2 (90)	1/2 (13)	13 1/2 (343)	12 7/8 (325)	2 1/2 (63)	7/16 (11)
	12 (300)	3 1/2 (90)	1/2 (13)	15 3/8 (391)	14 3/4 (375)	2 1/2 (63)	7/16 (11)



TYPICAL INSTALLATION

OPTIONS

Cat. No.	Pipe Size	Wt. Lbs.	Suffix	Description
<input type="checkbox"/> 3942-NH-SH	2 (50)	5.1	<input type="checkbox"/> 85	S/S PERFORATED BIRD SCREEN
<input type="checkbox"/> 3943-NH-SH	3 (75)	7.2	<input type="checkbox"/> 103	CHROME PLATED
<input type="checkbox"/> 3944-NH-SH	4 (100)	9.3	<input type="checkbox"/> 201	DECORATIVE POLISHED FINISH
<input type="checkbox"/> 3945-NH-SH	5 (125)	11.1		
<input type="checkbox"/> 3946-NH-SH	6 (150)	13.0		
<input type="checkbox"/> 3948-NH-SH	8 (200)	16.3		
<input type="checkbox"/> 3940-10NH-SH	10 (250)	18.5		
<input type="checkbox"/> 3940-12NH-SH	12 (300)	23.5		

AutoCad.dwg