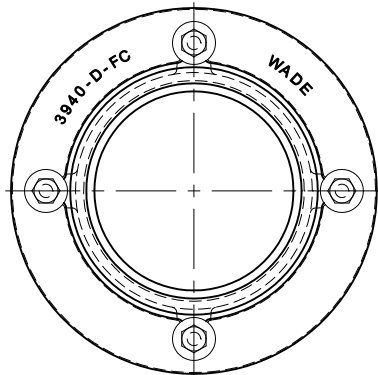
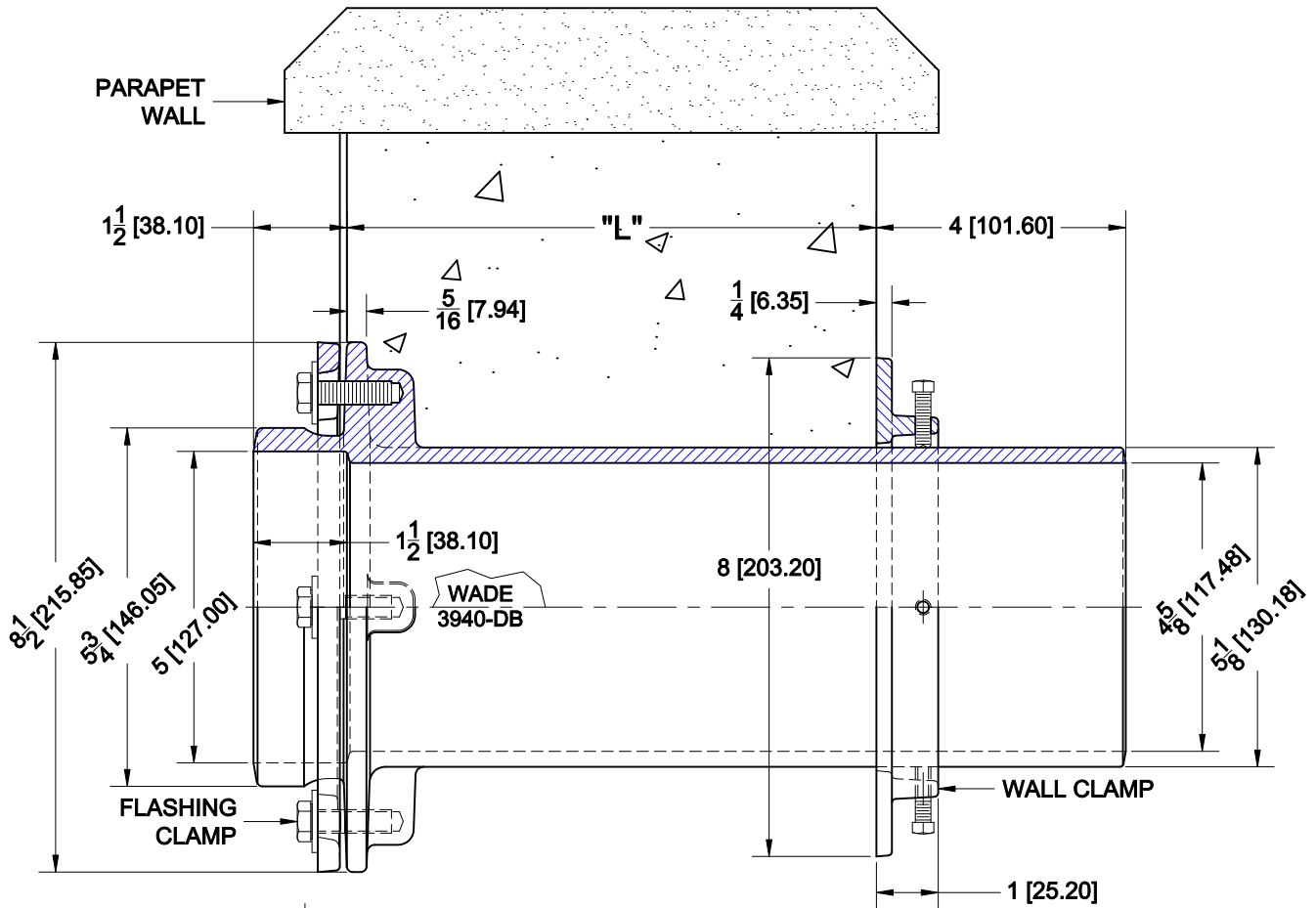


PARAPET SCUPPER SLEEVE



3940-D

CAST IRON PARAPET SCUPPER SLEEVE WITH CAST IRON BODY, FIXED POSITION MEMBRANE FLASHING FLANGE AND CLAMP DEVICE & WALL FACE FLANGE.



END VIEW

✓	CATALOG SUFFIX	L
	8	8 1/2
	11	11
	13	13 1/2
	17	17 1/2
	22	22 1/2

OPTIONS

Cat. No.	Pipe Size	Wt. Lbs.
<input type="checkbox"/> 3940-D8	8 1/2	26.0
<input type="checkbox"/> 3940-D11	11	29.0
<input type="checkbox"/> 3940-D13	13 1/2	31.0
<input type="checkbox"/> 3940-D17	17 1/2	35.0
<input type="checkbox"/> 3940-D22	22 1/2	40.0

Suffix	Description
<input type="checkbox"/> 39	GALVANIZED IRON PARTS
<input type="checkbox"/> 176	BRASS HARDWARE

AutoCad.dwg