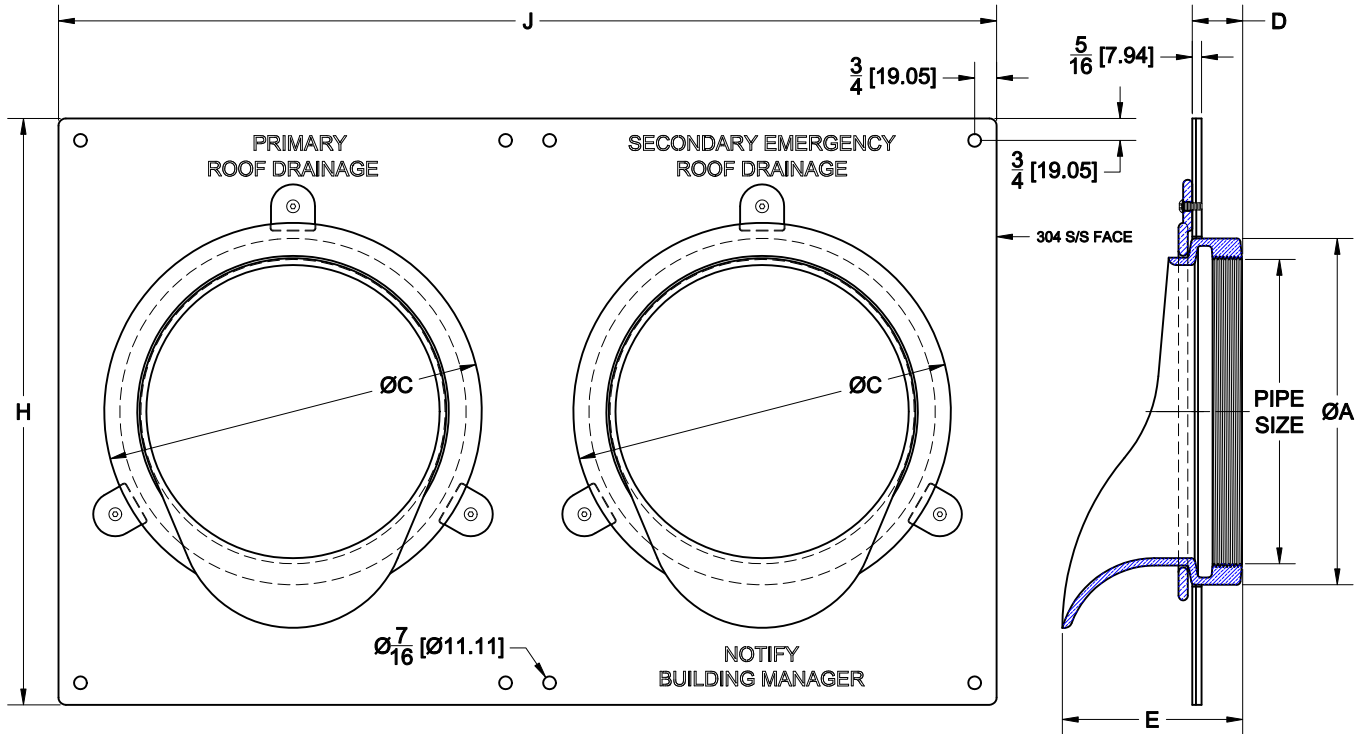


DUAL DOWNSPOUT NOZZELS



3940-227

DUAL CAST BRONZE DOWNSPOUT NOZZEL WITH IPS THREADED OUTLETS, ANCHOR FLANGES AND 304 STAINLESS STEEL WALL PLATE WITH SPECIAL WORDING



(INCHES)

PIPE SIZE	A	C	D	E	G	H	J
2	5 1/4	7 5/8	1 7/8	5 5/8	8 1/4	14 3/4	21 1/2
3	5 1/4	7 5/8	1 7/8	5 5/8	8 1/4	14 3/4	21 1/2
4	5 1/4	7 5/8	1 7/8	5 5/8	8 1/4	14 3/4	21 1/2
5	5 7/8	7 3/4	1	5 7/8	8 1/2	15	22
6	7	8 3/4	1	5 3/4	9 1/2	16	24
8	9 5/16	10 7/8	1 1/8	5 3/4	11 5/8	18	28
10	11 7/8	12 7/8	1 3/4	6 1/8	14	20	32

(MILLIMETERS)

PIPE SIZE	A	C	D	E	G	H	J
50	133.3	193.6	73.0	142.8	209.5	374.6	546.1
75	133.3	193.6	73.0	142.8	209.5	374.6	546.1
100	133.3	193.6	73.0	142.8	209.5	374.6	546.1
125	149.2	196.8	25.4	149.2	215.9	381.0	558.8
150	177.8	222.2	25.4	146.0	241.3	406.4	609.6
200	236.5	276.2	28.5	146.0	295.2	457.2	711.2
250	301.6	327.0	44.4	155.5	355.6	508.0	812.8

Cat. No.	Pipe Size	Wt. Lbs.
<input type="checkbox"/> 3942-213	2 (50)	10.5
<input type="checkbox"/> 3943-213	3 (75)	9.5
<input type="checkbox"/> 3944-213	4 (100)	9.5
<input type="checkbox"/> 3945-213	5 (125)	11.5
<input type="checkbox"/> 3946-213	6 (150)	13.5
<input type="checkbox"/> 3948-213	8 (200)	15.5
<input type="checkbox"/> 3949-213	10 (250)	19.5

OPTIONS

Suffix	Description
<input type="checkbox"/> 1	NICKEL PLATED BODY & FLANGE
<input type="checkbox"/> 2	SATIN FINISH ON BODY & ANCHOR FLANGE
<input type="checkbox"/> 85	S/S PERFORATED BIRD SCREEN
<input type="checkbox"/> 103	CHROME PLATED BODY & FLANGE

AutoCad.dwg