

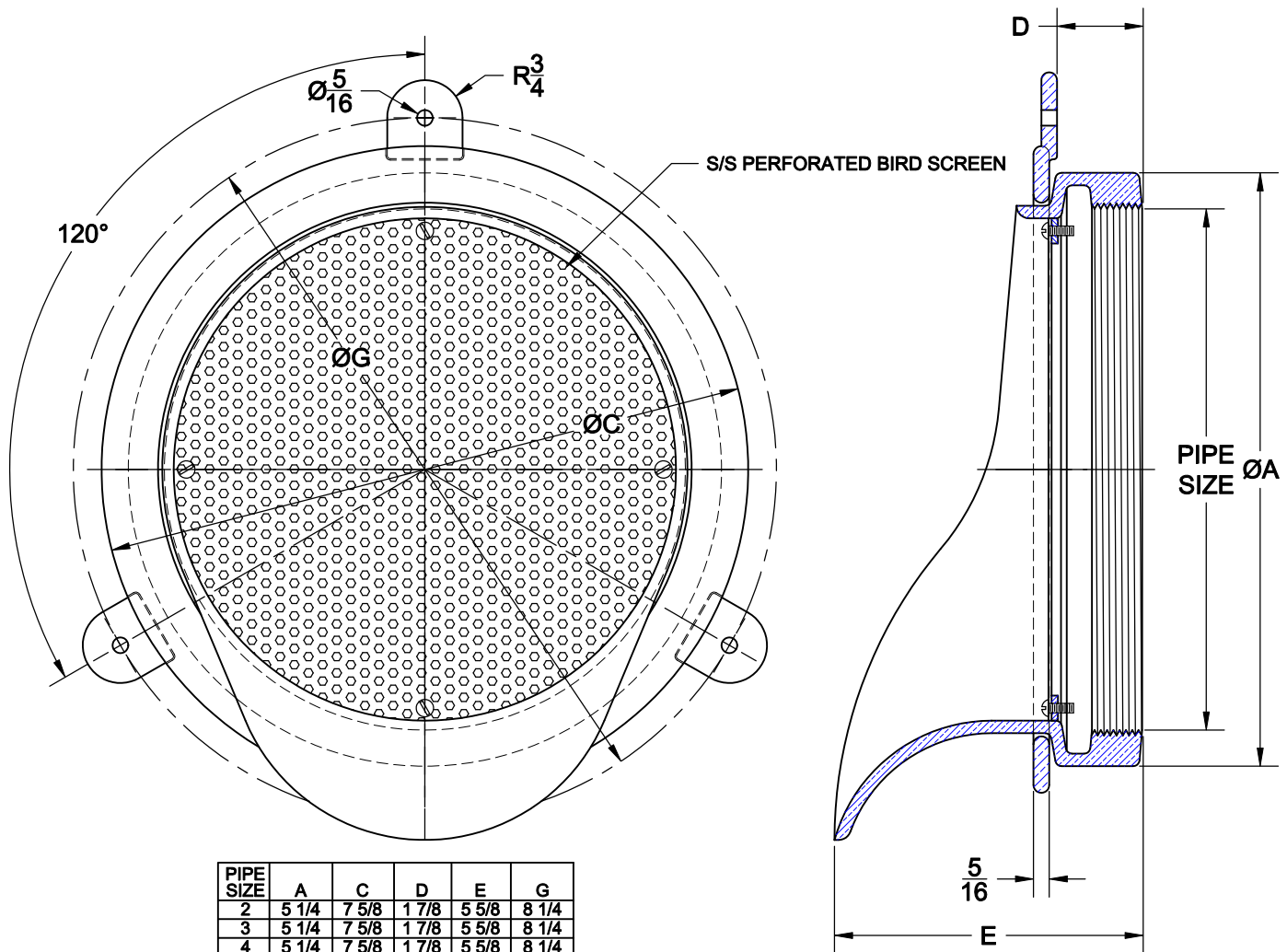
DOWNPOUT NOZZLE



3940-166

CAST BRONZE DOWNPOUT NOZZLE WITH THREADED OUTLET,
ANCHOR FLANGE AND S/S PERFORATED BIRDSCREEN

PERFORATED SCREEN IS 304 S/S 3/16" DIA. PERFORATIONS ON 1/4" CENTERS 51% OPEN AREA



PIPE SIZE	A	C	D	E	G
2	5 1/4	7 5/8	1 7/8	5 5/8	8 1/4
3	5 1/4	7 5/8	1 7/8	5 5/8	8 1/4
4	5 1/4	7 5/8	1 7/8	5 5/8	8 1/4
5	5 7/8	7 3/4	1	5 7/8	8 1/2
6	7	8 3/4	1	5 3/4	9 1/2
8	9 5/16	10 7/8	1 1/8	5 3/4	11 5/8
10	11 7/8	12 7/8	1 3/4	6 1/8	14

Cat. No.	Pipe Size	Wt. Lbs.
<input type="checkbox"/> 3942-166	2	10.5
<input type="checkbox"/> 3943-166	3	9.5
<input type="checkbox"/> 3944-166	4	9.5
<input type="checkbox"/> 3945-166	5	11.5
<input type="checkbox"/> 3946-166	6	13.5
<input type="checkbox"/> 3948-166	8	15.5
<input type="checkbox"/> 3949-166	10	19.5

OPTIONS

Suffix	Description
<input type="checkbox"/> 2	SATIN FINISH ON BODY & ANCHOR FLANGE
<input type="checkbox"/> 85	S/S PERFORATED BIRD SCREEN
<input type="checkbox"/> 103	CHROME PLATED BODY & FLANGE

AutoCad.dwg