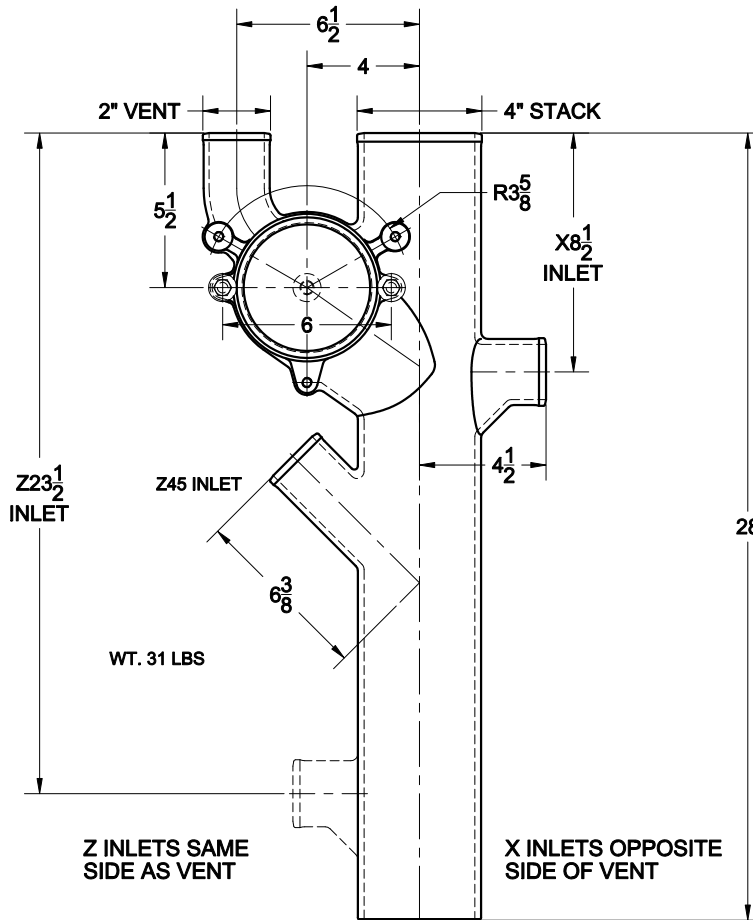
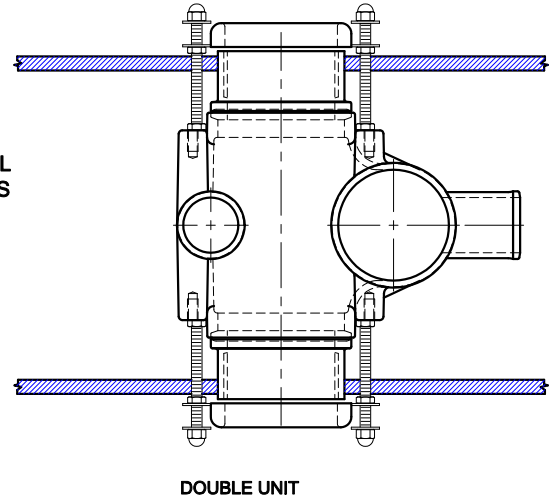
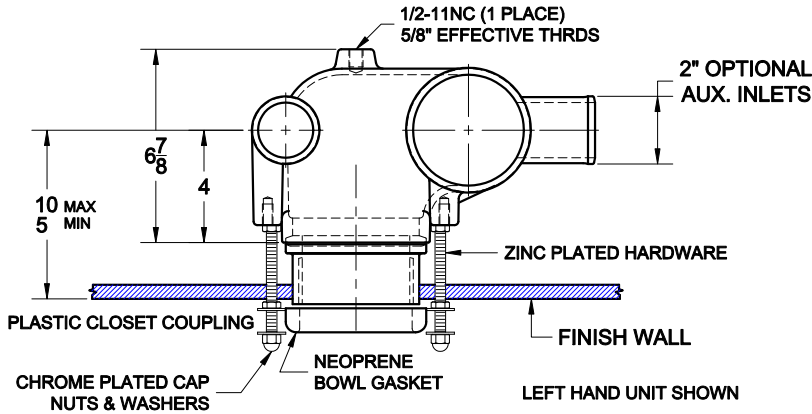


# HUBLESS CARRIER FITTING



## 9-371-M14

SINGLE (RIGHT OR LEFT OR DOUBLE) 4" STACK - 2" VENT



### OPTIONS

Cat. No.	Type	Wt. Lbs.	Suffix	Description
<input type="checkbox"/> 371L-M14	SGL-LH	27.0	<input type="checkbox"/> X8.5	AUX INLET (OPPOSITE VENT)
<input type="checkbox"/> 371R-M14	SGL-RH	27.0	<input type="checkbox"/> Z45	AUX INLET (VENT SIDE)
<input type="checkbox"/> 371D-M14	DBL	35.0	<input type="checkbox"/> Z23.5	AUX INLET (VENT SIDE)