

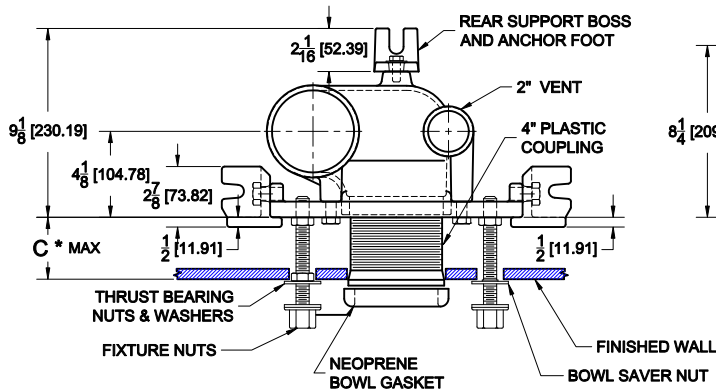
CLOSET CARRIER



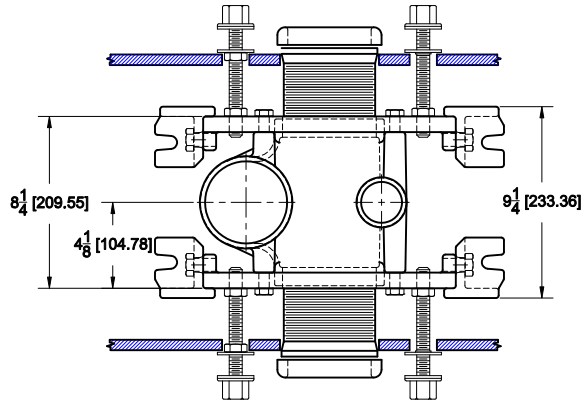
371-FPO SERIES

NO-HUB VERTICAL FIXED WATER CLOSET CARRIER WITH LEFT HAND, RIGHT HAND OR DOUBLE MAIN FITTING WITH 4" WASTE AND 2" VENT, ADJUSTABLE FACEPLATE, UNIVERSAL FLOOR MOUNTED FOOT SUPPORTS, ABS COUPLING WITH INTEGRAL TEST CAP AND O-RING SEAL, FIXTURE SUPPORT STUDS, CHROME PLATED CAP NUTS, STUD PROTECTORS, NEOPRENE BOWL GASKET AND REAR ANCHOR FOOT.

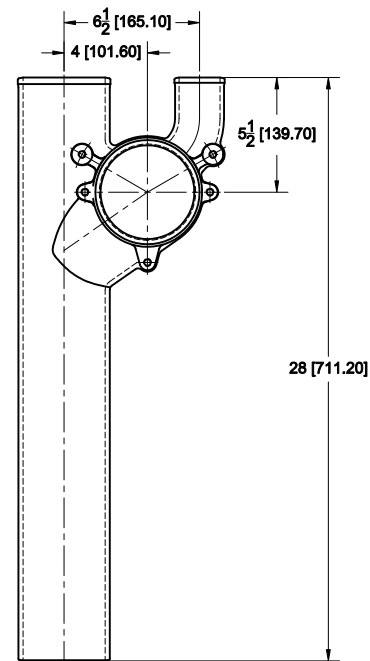
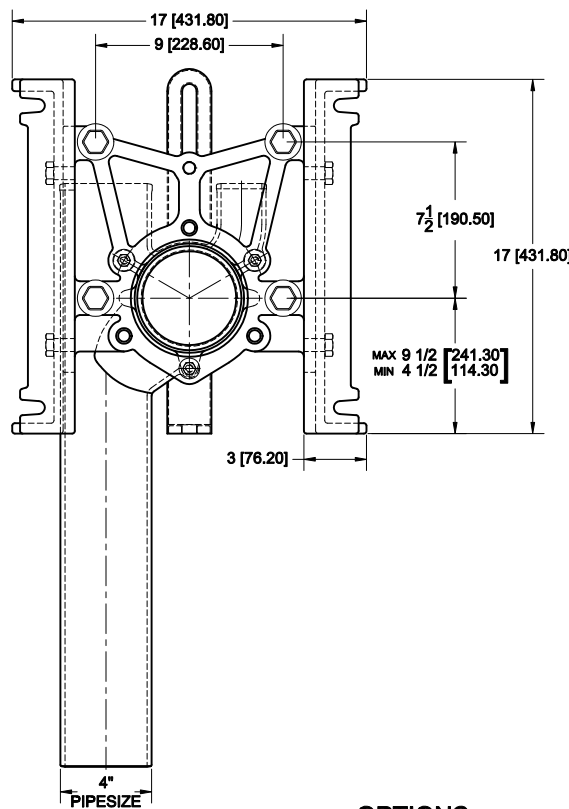
CONFORMS TO ASME A112.6.1M



* 1-1/2" MINIMUM 'C' DIMENSION OBTAINABLE (CUT COUPLING)



RIGHT HAND UNIT SHOWN



FITTING ONLY

OPTIONS

CAT.NO.	VENT SIZE	WT.LB.
<input type="checkbox"/> 371R (RIGHT HAND)	2" (50)	65.0
<input type="checkbox"/> 371L (LEFT HAND)	2" (50)	65.0
<input type="checkbox"/> 371D (DOUBLE)	2" (50)	65.0

Suffix	Description
<input type="checkbox"/> P6	COUPLING PACKAGE (4-1/2" MAX "C" DIMENSION)
<input type="checkbox"/> P14 †	COUPLING PACKAGE (12-1/2" MAX "C" DIMENSION)
<input type="checkbox"/> AM1	FLUSH VALVE PIPING SUPPORT
<input type="checkbox"/> AM4	AUXILIARY FOOT SUPPORT
<input type="checkbox"/> AM21	TILE FINISHING FRAME (SIPHON JET)
†	AUXILIARY FOOT SUPPORT RECOMMENDED (AM4)

AutoCad.dwg