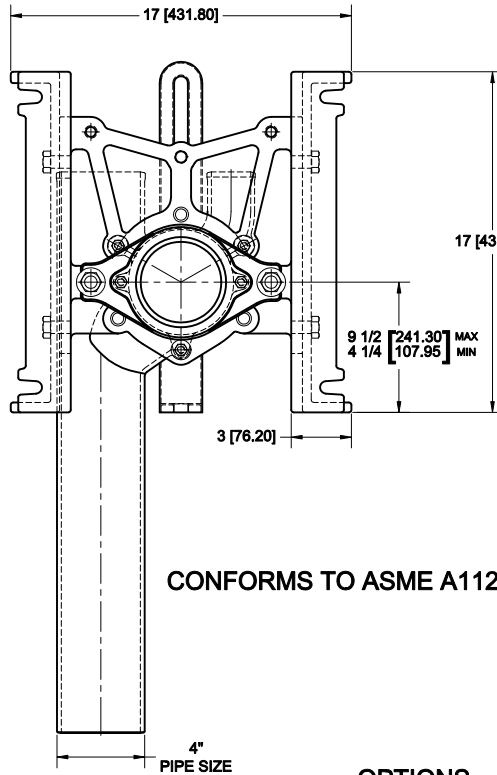
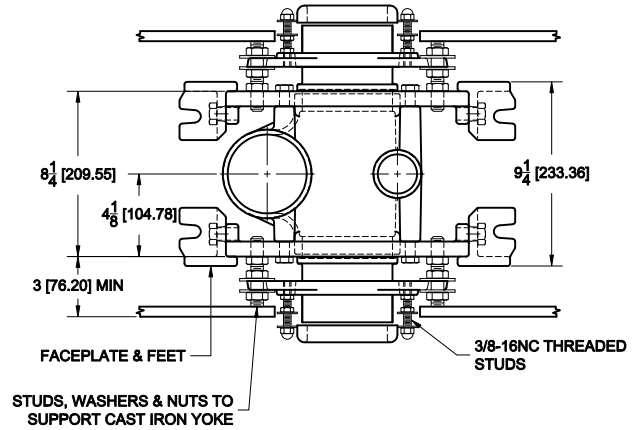
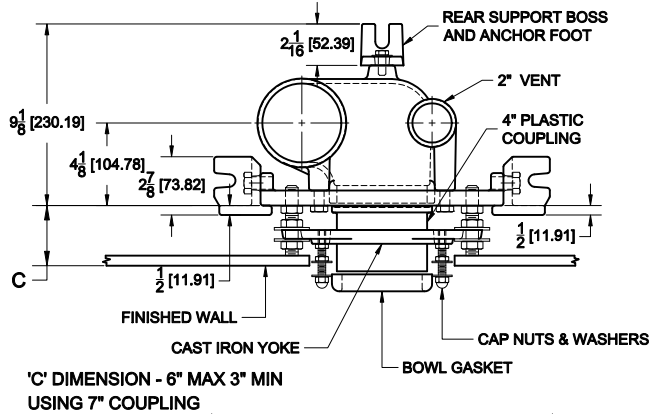


CLOSET CARRIER

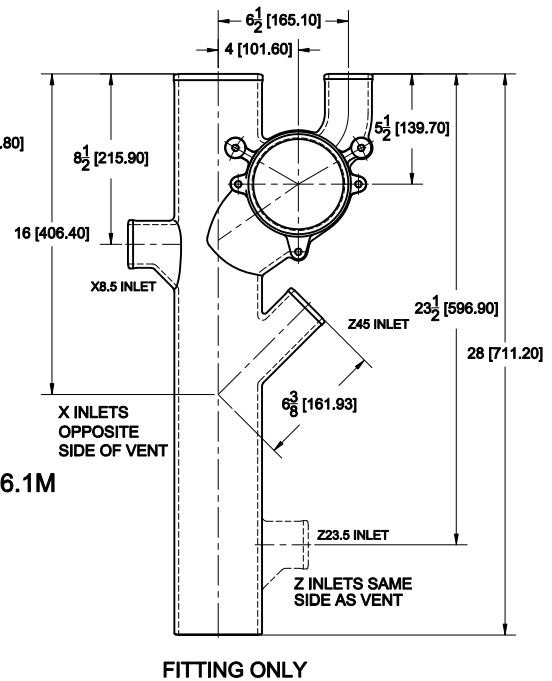


371-AM14 SERIES

NO-HUB VERTICAL FIXED WATER CLOSET CARRIER WITH LEFT HAND, RIGHT HAND OR DOUBLE MAIN FITTING WITH 4" WASTE AND 2" VENT, ADJUSTABLE FACEPLATE, UNIVERSAL FLOOR MOUNTED FOOT SUPPORTS, ABS COUPLING WITH INTEGRAL TEST CAP AND O-RING SEAL, FIXTURE SUPPORT STUDS, CHROME PLATED CAP NUTS, NEOPRENE BOWL GASKET AND REAR ANCHOR FOOT.



RIGHT HAND UNIT SHOWN



CONFORMS TO ASME A112.6.1M

OPTIONS

CAT.NO.	VENT SIZE	WT.LB.
<input type="checkbox"/> 371R (RIGHT HAND)	2" (50)	65.0
<input type="checkbox"/> 371L (LEFT HAND)	2" (50)	65.0
<input type="checkbox"/> 371D (DOUBLE)	2" (50)	65.0

INLETS	
SUFFIX	DESCRIPTION
<input type="checkbox"/> X8.5	2" (50) INLET (OPPOSITE VENT)
<input type="checkbox"/> Z45	2" (50) 45° INLET (VENT SIDE)
<input type="checkbox"/> Z23.5	2" (50) INLET (VENT SIDE)

Suffix	Description
<input type="checkbox"/> C7	COUPLING PACKAGE (6" MAX "C" DIMENSION)
<input type="checkbox"/> C11	COUPLING PACKAGE (10" MAX "C" DIMENSION)
<input type="checkbox"/> C14	COUPLING PACKAGE (13" MAX "C" DIMENSION)
<input type="checkbox"/> C24	COUPLING PACKAGE (23" MAX "C" DIMENSION)
<input type="checkbox"/> AM1	FLUSH VALVE PIPING SUPPORT
<input type="checkbox"/> AP-6	6" ADJUSTABLE CLOSET COUPLING
<input type="checkbox"/> AP-14	14" ADJUSTABLE CLOSET COUPLING

AutoCad.dwg