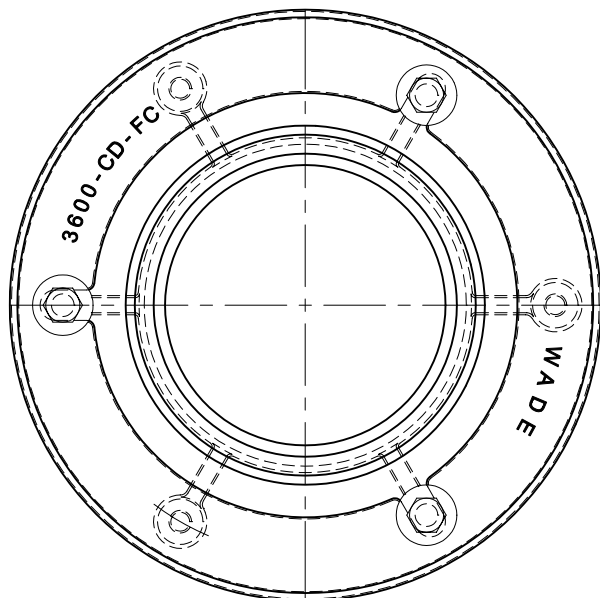


VENT STACK SLEEVE

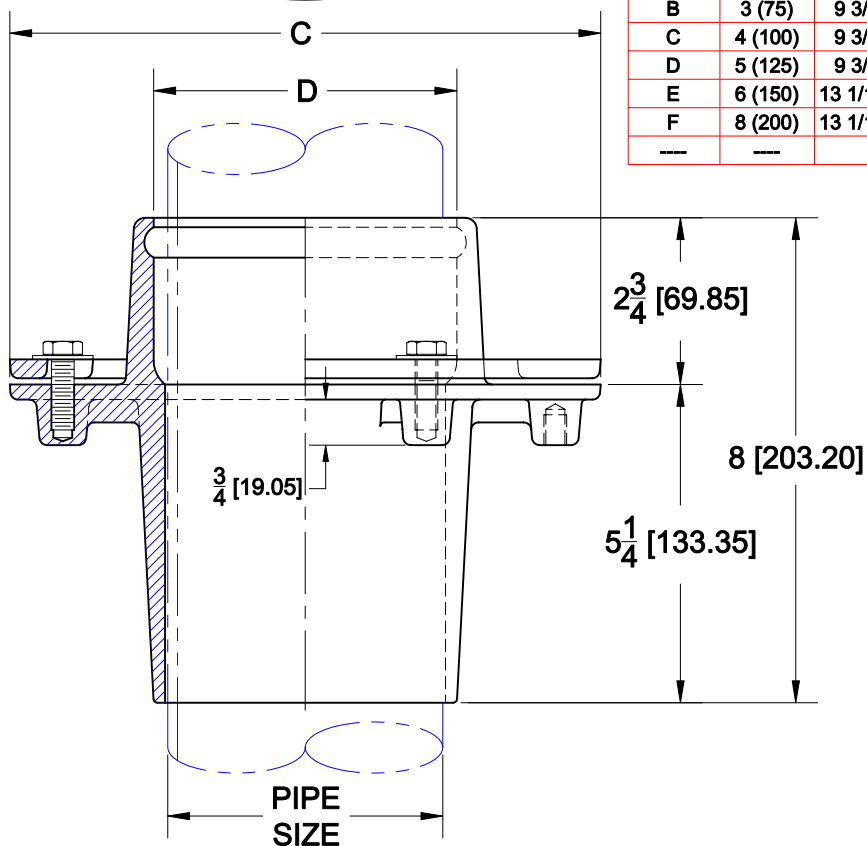


3600

CAST IRON VENT STACK SLEEVE WITH CAST IRON BODY, FIXED POSITION COMBINATION MEMBRANE FLASHING FLANGE AND CLAMP DEVICE.



SUFFIX	SIZE	C	D
A	2 (50)	9 3/4 (247.6)	3 (76.2)
B	3 (75)	9 3/4 (247.6)	4 (101.6)
C	4 (100)	9 3/4 (247.6)	5 (127.0)
D	5 (125)	9 3/4 (247.6)	6 (152.4)
E	6 (150)	13 1/16 (331.8)	7 (177.8)
F	8 (200)	13 1/16 (331.8)	9 5/16 (236.5)
—	—	—	—



Cat. No.	Pipe Size	Wt. Lbs.	OPTIONS	
			Suffix	Description
<input type="checkbox"/> 3600-A	2 (50)	12.0	<input type="checkbox"/> 39	GALVANIZED IRON PARTS
<input type="checkbox"/> 3600-B	3 (75)	12.0	<input type="checkbox"/> 52	BEARING PAN (SUMP RECEIVER)
<input type="checkbox"/> 3600-C	4 (100)	13.0	<input type="checkbox"/> 53	UNDERDECK CLAMP
<input type="checkbox"/> 3600-D	5 (125)	18.0		
<input type="checkbox"/> 3600-E	6 (150)	26.0		
<input type="checkbox"/> 3600-F	8 (200)	52.0		

AutoCad.dwg