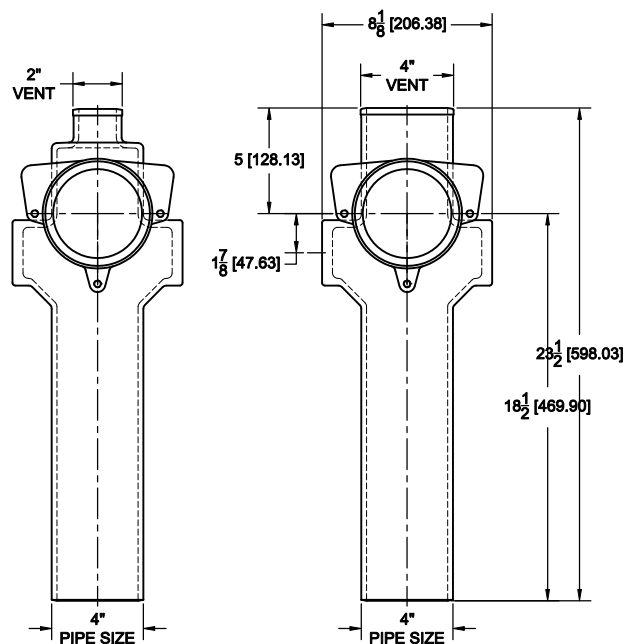
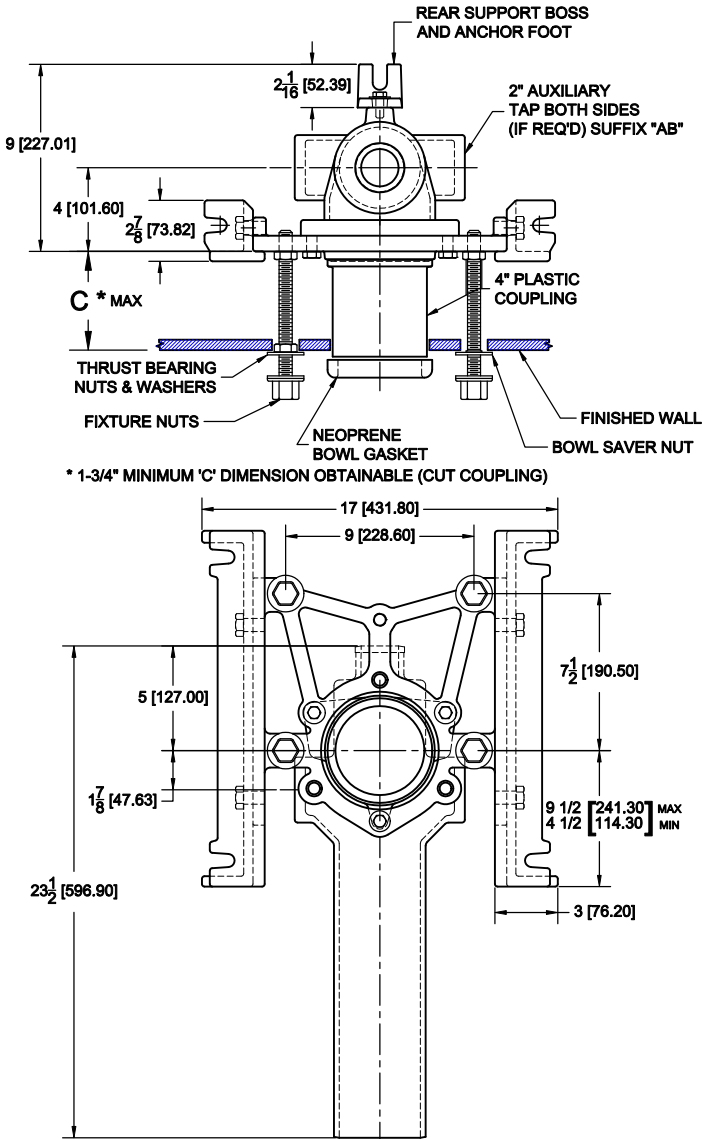


CLOSET CARRIER



350 SERIES

NO-HUB VERTICAL FIXED SINGLE WATER CLOSET CARRIER WITH UNIVERSAL FOOT SUPPORTS, REAR ANCHOR FOOT, ABS PLASTIC CLOSET COUPLING WITH O-RING SEAL, FIXTURE SUPPORT STUDS, CHROME PLATED CAP NUTS, NEOPRENE BOWL GASKET, INTEGRAL TEST CAP AND STUD PROTECTORS. CONFORMS TO ASME A112.6.1M (UP TO 300 LBS)



OPTIONS

CAT.NO.	VENT SIZE	WT.LB.
350-N2	2" (50)	135.0
350-N4	4" (100)	135.0

Suffix	Description
C7	COUPLING PACKAGE (6" MAX "C" DIMENSION)
C11	COUPLING PACKAGE (10" MAX "C" DIMENSION)
C14	COUPLING PACKAGE (13" MAX "C" DIMENSION)†
C24	COUPLING PACKAGE (23" MAX "C" DIMENSION)†
AM1	FLUSH VALVE PIPING SUPPORT
AM4	AUXILIARY FOOT SUPPORT
AM21	TILE FINISHING FRAME
AB	AUXILIARY INLETS (2" NPT) BOTH SIDES

† AUXILIARY FOOT SUPPORT RECOMMENDED (AM4)

AutoCad.dwg