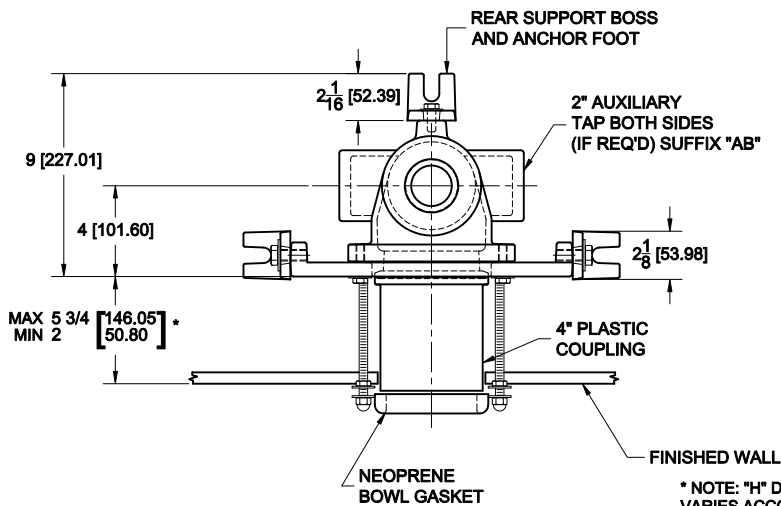


# CLOSET CARRIER



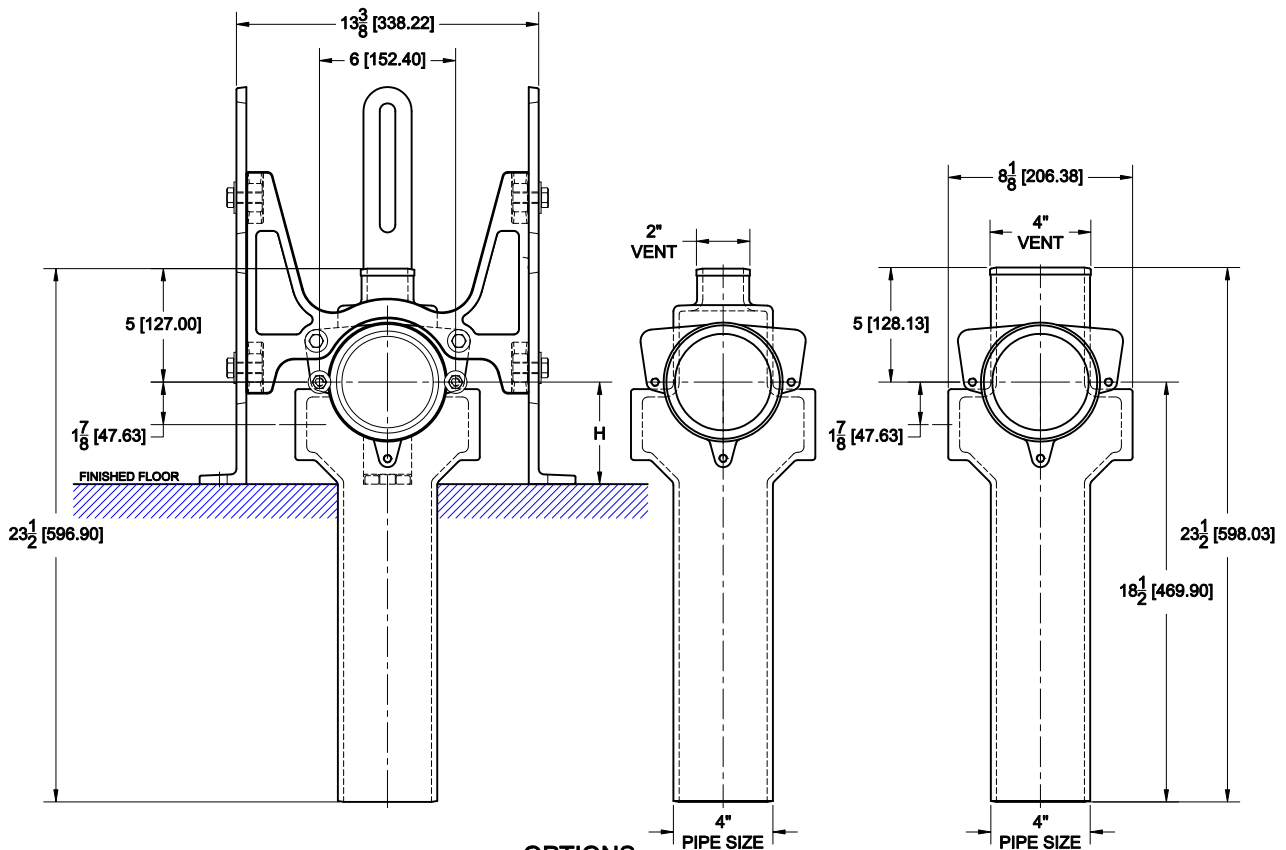
## 350-M16

NO-HUB VERTICAL FIXED SINGLE WATER CLOSET CARRIER WITH UNIVERSAL FOOT SUPPORTS, REAR ANCHOR FOOT, ABS PLASTIC CLOSET COUPLING WITH O-RING SEAL, FIXTURE SUPPORT STUDS, CHROME PLATED CAP NUTS, NEOPRENE BOWL GASKET AND INTEGRAL TEST CAP.



\* FOR MINIMUM DIMENSION COUPLING & THREADED RODS MUST BE CUT

\* NOTE: "H" DIMENSION (CENTERLINE OF CLOSET OUTLET TO FINISHED FLOOR) VARIES ACCORDING TO FIXTURE USED. CONSULT FIXTURE MANUFACTURER'S ROUGH-IN SHEET FOR SPECIFIC DIMENSION.



### OPTIONS

### FITTING ONLY

CAT.NO.	VENT SIZE	WT.LB.
<input type="checkbox"/> 350-N2-M16	2" (50)	135.0
<input type="checkbox"/> 350-N4-M16	4" (100)	135.0

Suffix	Description
<input type="checkbox"/> AB	AUXILIARY INLETS (2" NPT) BOTH SIDES

AutoCad.dwg