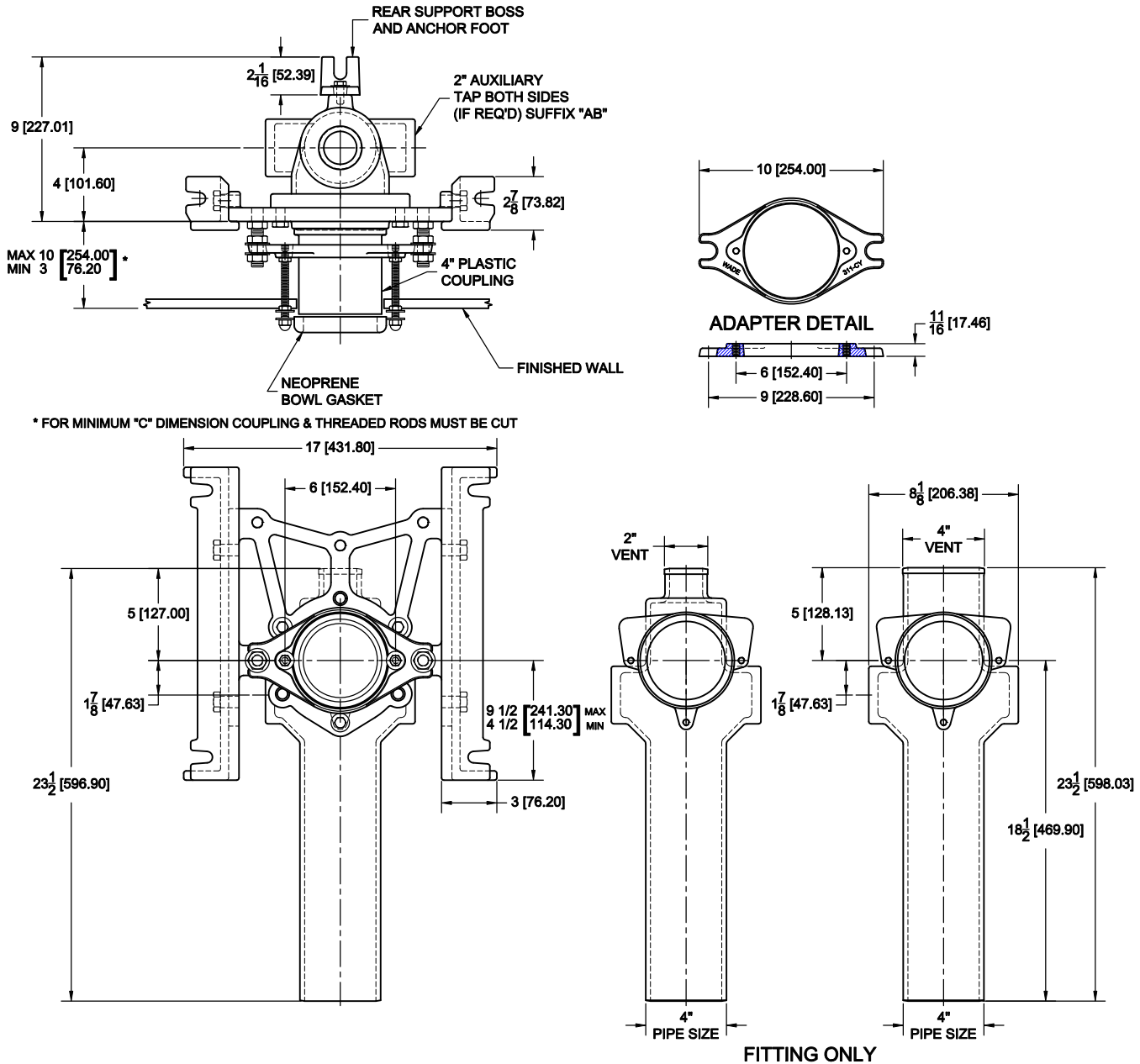


CLOSET CARRIER



350-M14A SERIES

NO-HUB VERTICAL FIXED SINGLE WATER CLOSET CARRIER WITH UNIVERSAL FOOT SUPPORTS, REAR ANCHOR FOOT, ABS PLASTIC CLOSET COUPLING WITH O-RING SEAL, FIXTURE SUPPORT STUDS, CHROME PLATED CAP NUTS, NEOPRENE BOWL GASKET, INTEGRAL TEST CAP AND STUD PROTECTORS. CONFORMS TO ASME A112.6.1M (UP TO 300 LBS)



OPTIONS

| CAT.NO. | VENT SIZE | WT.LB. | Suffix | Description |
|--------------------------------------|-----------|--------|-----------------------------|--------------------------------------|
| <input type="checkbox"/> 350-N2-M14A | 2" (50) | 135.0 | | |
| <input type="checkbox"/> 350-N4-M14A | 4" (100) | 135.0 | <input type="checkbox"/> AB | AUXILIARY INLETS (2" NPT) BOTH SIDES |

AutoCad.dwg