

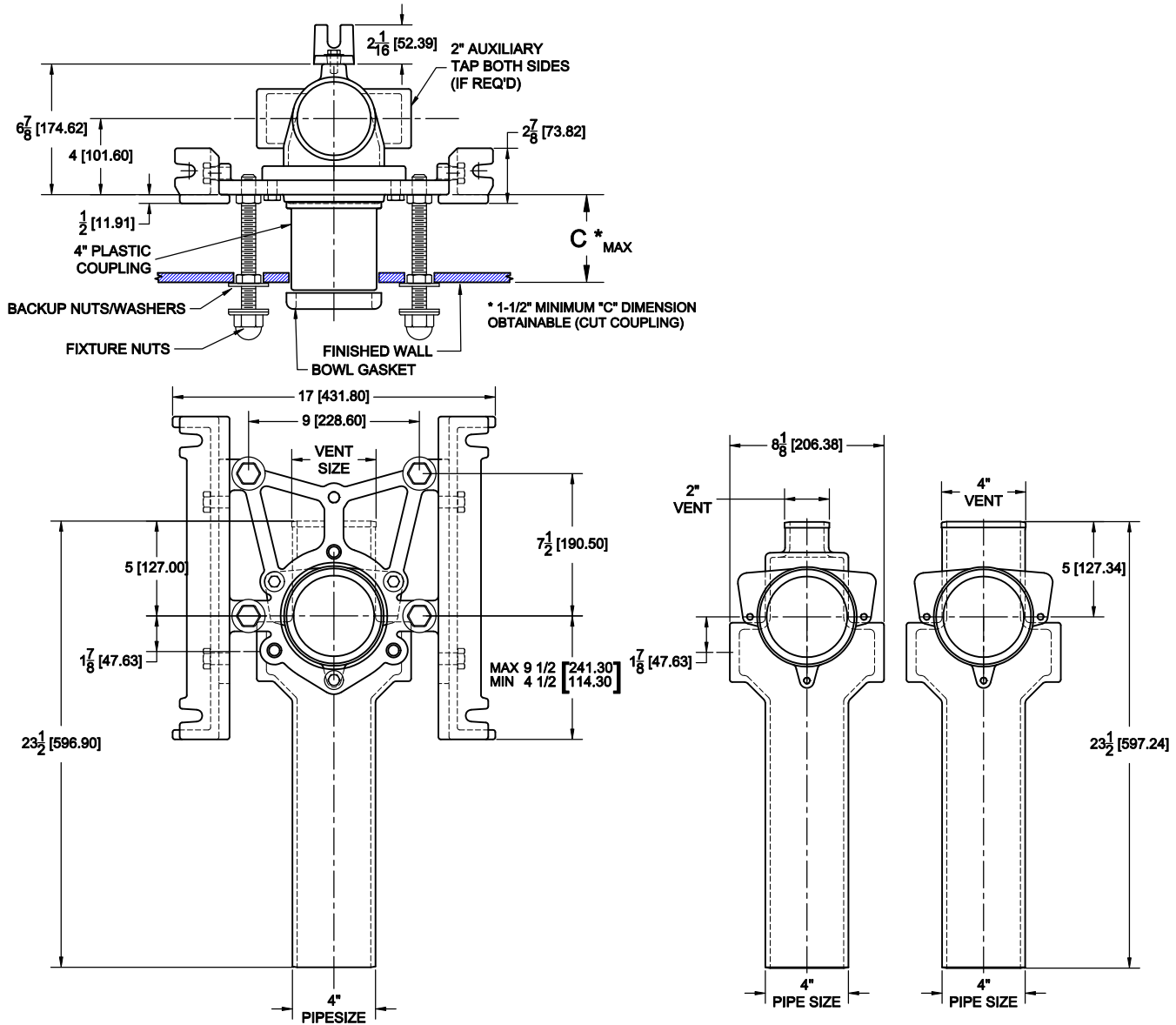
# CLOSET CARRIERS



## 350-HD SERIES

NO-HUB VERTICAL FIXED SINGLE WATER CLOSET CARRIER WITH UNIVERSAL FOOT SUPPORTS, REAR ANCHOR SUPPORT, ABS PLASTIC CLOSET COUPLING WITH O-RING SEAL, 3/4" HEAVY DUTY SUPPORT HARDWARE, NEOPRENE BOWL GASKET & INTEGRAL TEST CAP.

THIS SYSTEM COMPLIES & EXCEEDS ALL REQUIREMENTS OF ASME A112.6.1M (UP TO 500 LBS)



### OPTIONS

### FITTING ONLY

CAT.NO.	VENT SIZE	WT.LB.
350-N2-HD	2"	135.0
350-N4-HD	4"	135.0

Suffix	Description
C7	COUPLING PACKAGE (6" MAX "C" DIMENSION)
C11	COUPLING PACKAGE (10" MAX "C" DIMENSION)
C14	COUPLING PACKAGE (13" MAX "C" DIMENSION)
C24	COUPLING PACKAGE (23" MAX "C" DIMENSION)
AB	AUXILIARY INLETS (2" NPT)
AM4	ROD SUPPORT FEET (RECOMMENDED FOR "C" DIMENSION OVER 7")

AutoCad.dwg