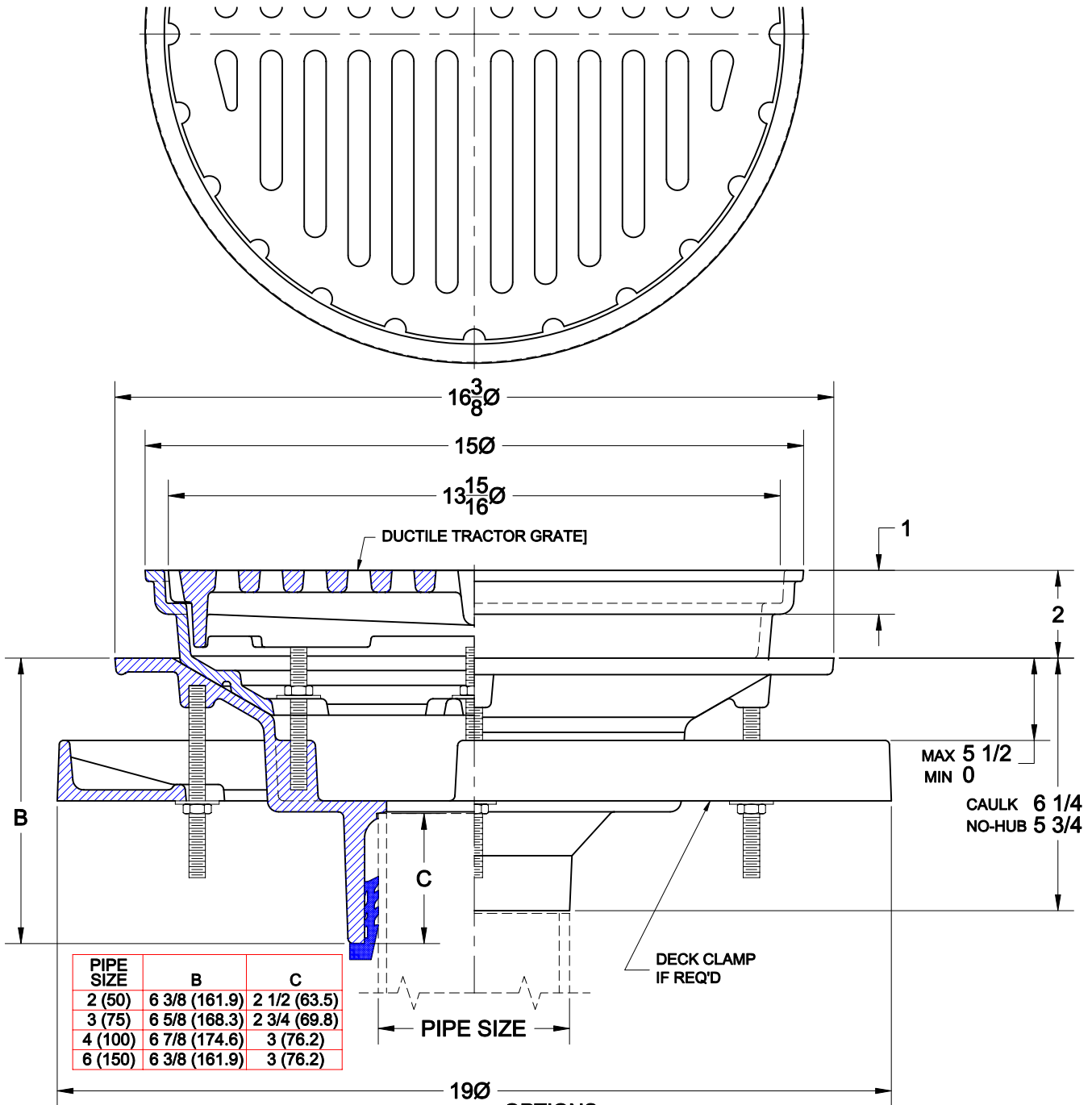


Heavy Duty Deck Drain



3400

Cast iron deck drain with flashing ring, round promenade top with ductile iron tractor grate and bottom outlet.



OPTIONS

Cat. No.	Pipe Size	Wt. Lbs.	Suffix	Description
<input type="checkbox"/> 3402	2 (50)	70.0	<input type="checkbox"/> 1	Nickel Bronze Veneer Top
<input type="checkbox"/> 3403	3 (75)	70.0	<input type="checkbox"/> 5	Vandal Proof
<input type="checkbox"/> 3404	4 (100)	70.0	<input type="checkbox"/> 52	Bearing Pan (Sump Reciever)
<input type="checkbox"/> 3405	5 (125)	70.0	<input type="checkbox"/> 53	Underdeck Clamp
<input type="checkbox"/> 3406	6 (150)	70.0		
<input type="checkbox"/> 3408	8 (200)	72.0		

OUTLETS

<input type="checkbox"/> NH	<input type="checkbox"/> NO-HUB	<input type="checkbox"/> TY	<input type="checkbox"/> TY-SEAL	<input type="checkbox"/> IC	<input type="checkbox"/> INSIDE CAULK	<input type="checkbox"/> IPS	<input type="checkbox"/> THREADED
-----------------------------	---------------------------------	-----------------------------	----------------------------------	-----------------------------	---------------------------------------	------------------------------	-----------------------------------