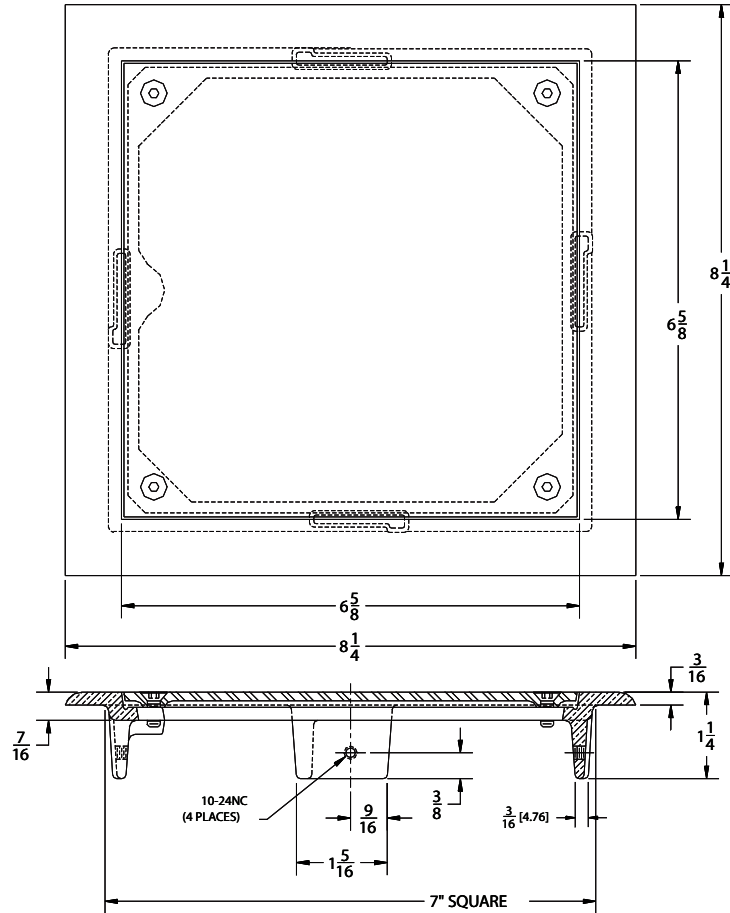


Access Panel

WADE

8480-ST

Square wall access panel with satin finish nickel bronze frame and secured smooth finish stainless steel cover.



Cat. No.	Wt. Lbs.
8480-ST	3.0

OPTIONS

Suffix	Description
179.....	Security Screws