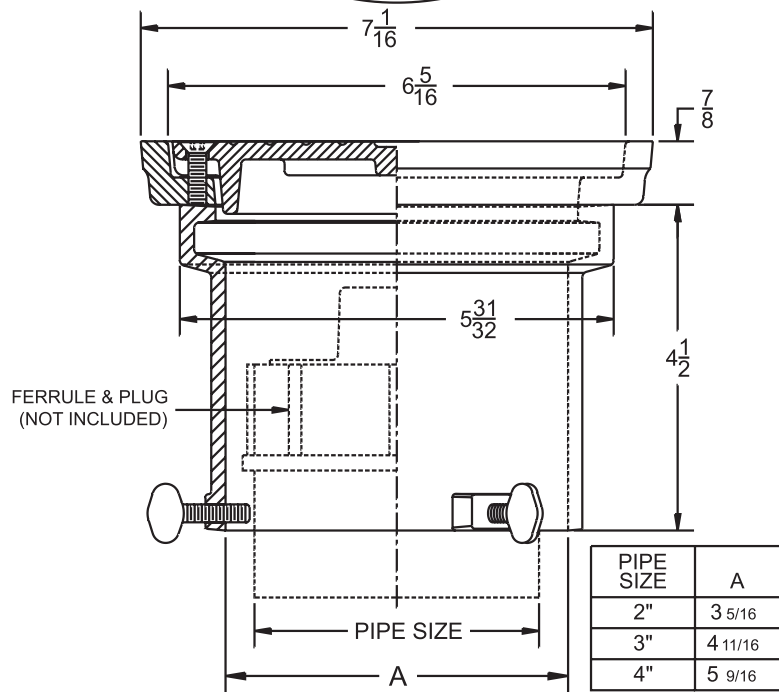
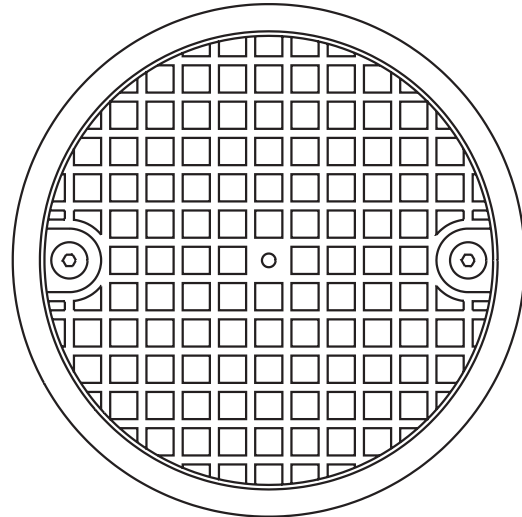


Floor Access Housing

WADE

8400-Z Painted cast iron floor access housing with flange, round scoriated ductile iron secured cover and adjusting thumb screws.
ANSI Load Class - S.D. = Special Duty (Over 10,000 Lbs.)



Cat. No.	Pipe Size	Wt. Lbs.
<input type="checkbox"/> 8402-Z	2	5.3
<input type="checkbox"/> 8403-Z	3	8.0
<input type="checkbox"/> 8404-Z	4	11.0

OPTIONS

Suffix	Description
<input type="checkbox"/> 1	Satin Finish Nickel Bronze Veneer Top
<input type="checkbox"/> 39	Galvanized Iron Parts
<input type="checkbox"/> 72	Carpet Marker
<input type="checkbox"/> 179	Security Screws