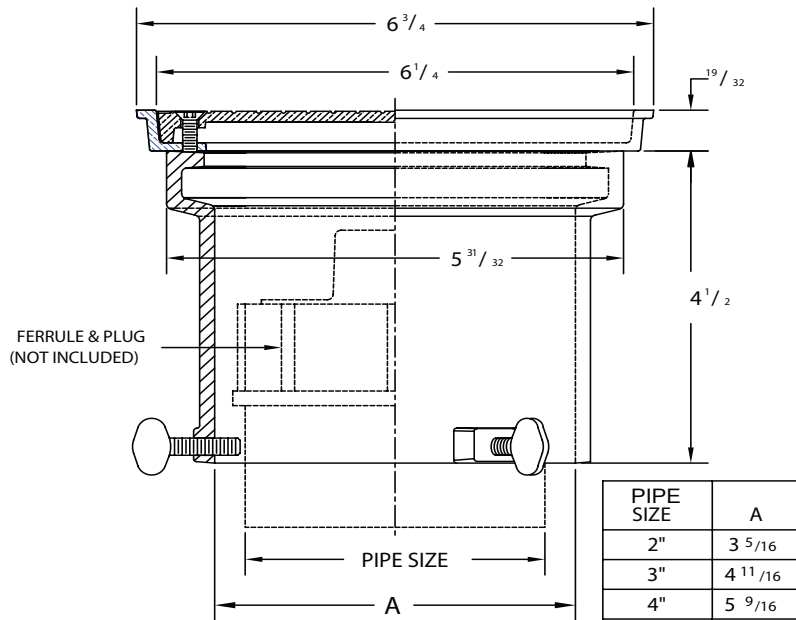
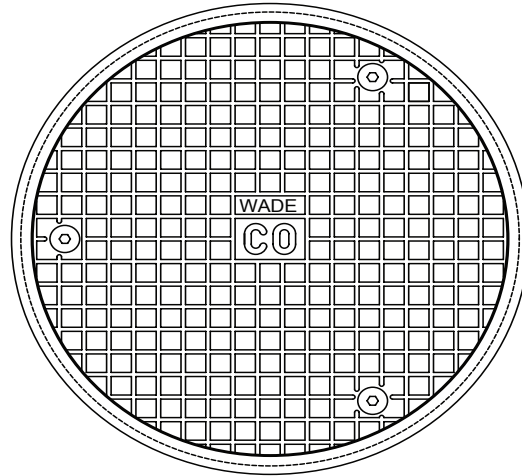


# Floor Access Housing



**8400** Painted cast iron floor access housing with flange, round scoriated satin finish nickel bronze secured cover and frame and adjusting thumb screws.  
ANSI Load Class - L.D. = Light Duty (Under 2,000 Lbs.)



Cat. No.	Pipe Size	Wt. Lbs.
8402	2	5.3
8403	3	8.0
8404	4	11.0

### OPTIONS

Suffix	Description
39	Galvanized Iron Parts
72	Carpet Marker
179	Security Screws