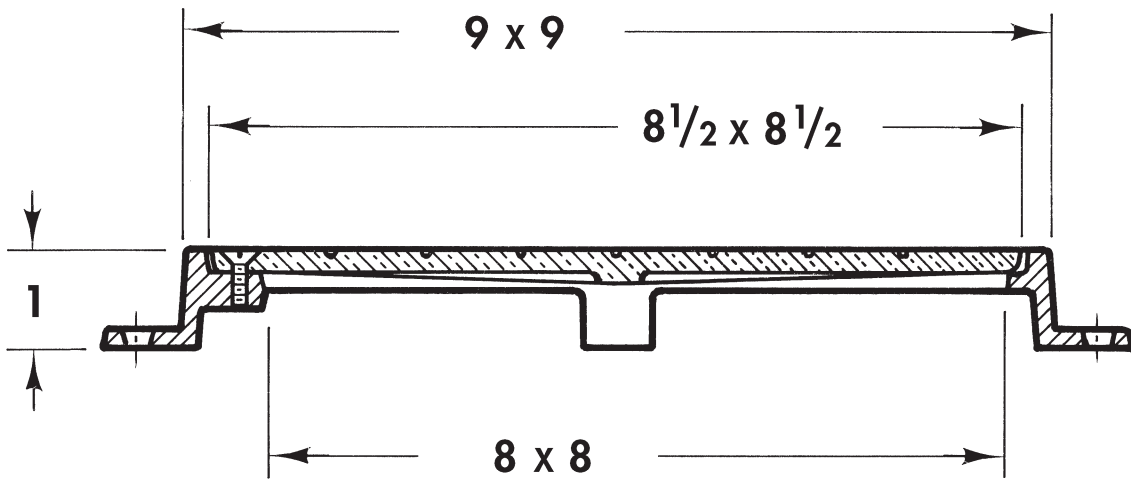
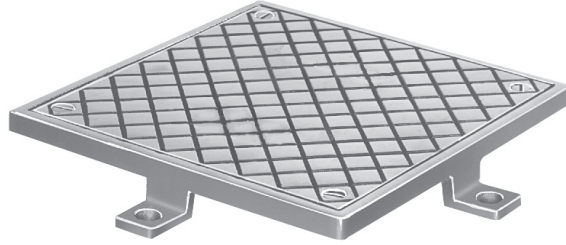


Access Covers

WADE

8300S Square 9x9-in. scoriated secured nickel bronze access cover and frame. ANSI Load Class - Light Duty (under 2,000 lbs.)



Cat. No.	Wt. Lbs.
8300-S9	6

OPTIONS

Suffix	Description
179.....	Security Screws