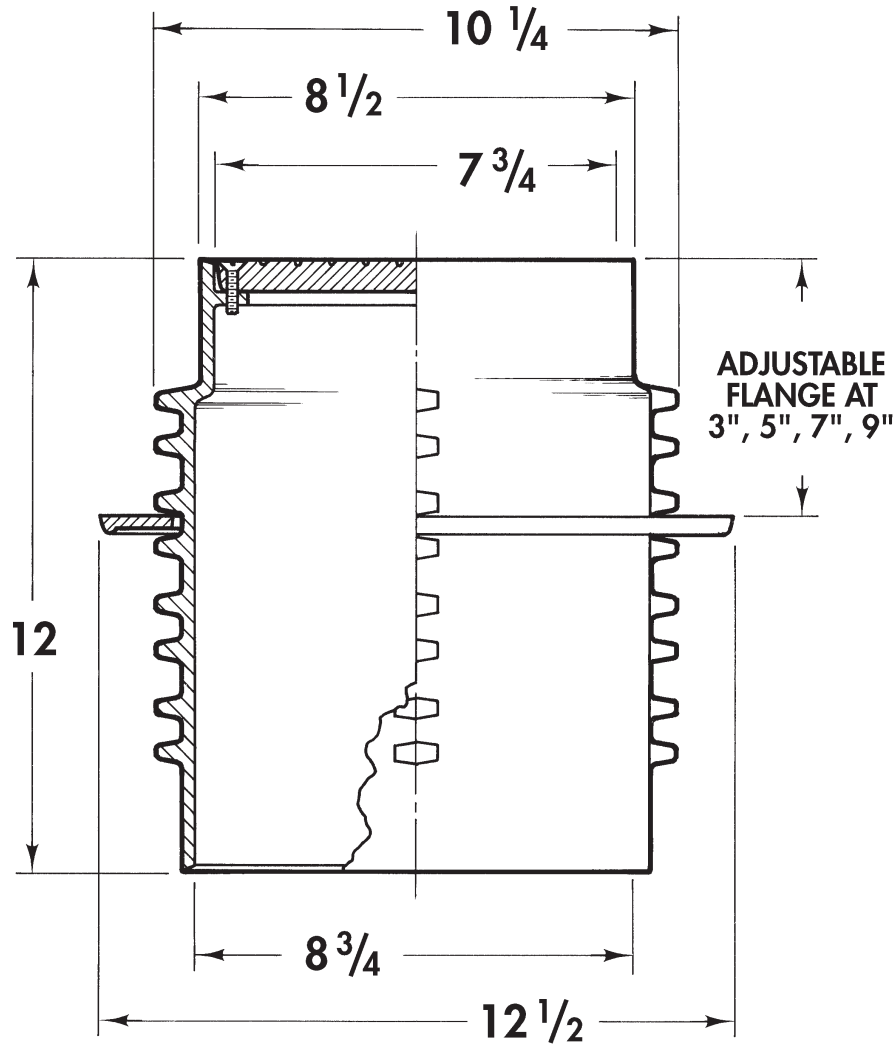
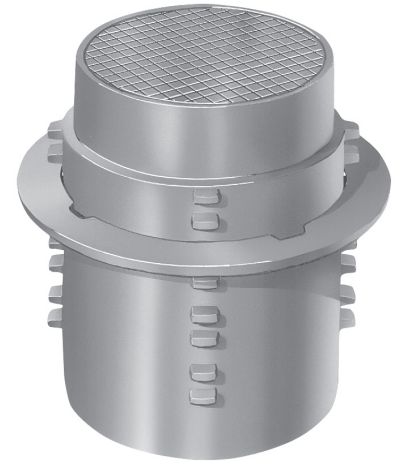


# Access Housing

**WADE**

**8300MF** Access housing with adjustable anchor flange and extra heavy secured scoriated ductile iron cover.  
ANSI Load Class - Special Duty (Over 10,000 lbs.)



Cat. No.	Wt. Lbs.
8300MF	35

### OPTIONS

Suffix	Description
39.....	Galvanized Iron Parts
179.....	Security Screws