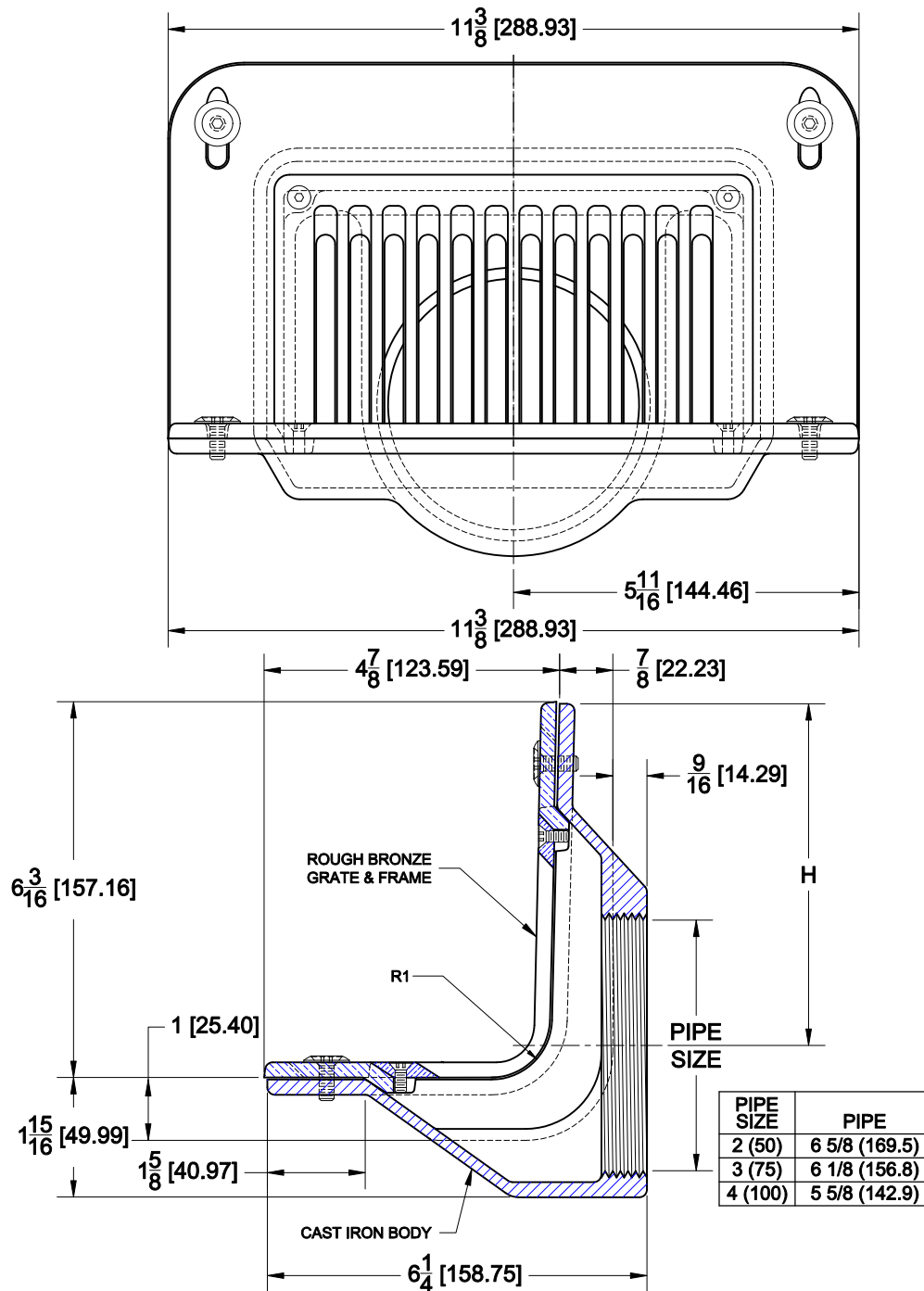


# PARAPET DRAIN



3290

PAINTED CAT IRON PARAPET DRAIN WITH THREADED SIDE OUTLET,  
BRONZE FLASHING CLAMP AND SECURED FLAT GRATE.



## OPTIONS

Cat. No.	Pipe Size	Wt. Lbs.	Suffix	Description
<input type="checkbox"/> 3292	2 (50)	19.0	<input type="checkbox"/> 39	GALVANIZED IRON PARTS
<input type="checkbox"/> 3293	3 (75)	17.0	<input type="checkbox"/> 179	SECURITY SCREWS (PIN ALLEN)
<input type="checkbox"/> 3294	4 (100)	17.0	<input type="checkbox"/> 230	SECURITY SCREWS (PIN TORX)

AutoCad.dwg