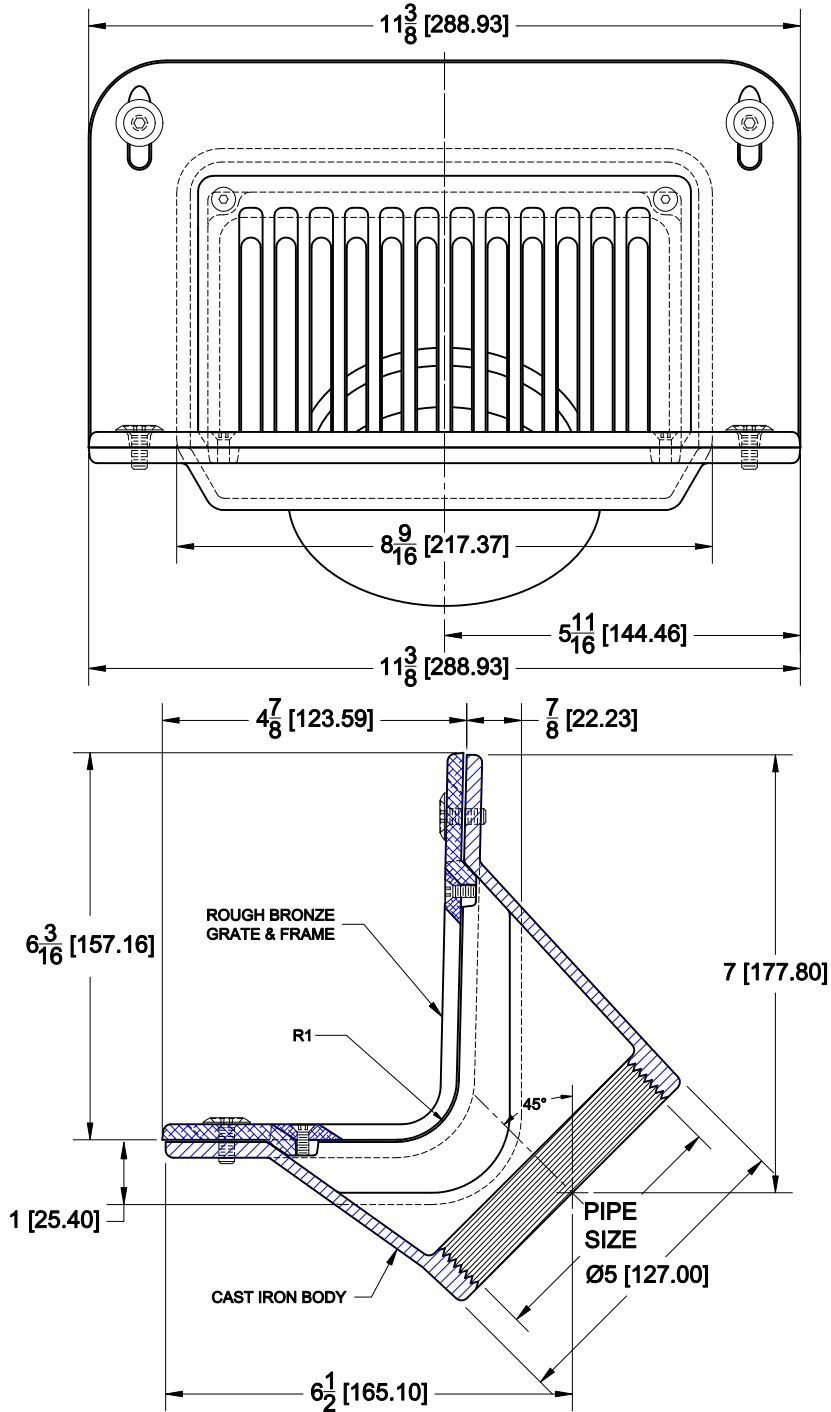


PARAPET DRAIN



3290-A-46

PAINTED CAT IRON PARAPET DRAIN WITH 45° THREADED OUTLET, CAST ALUMINUM FLASHING CLAMP AND SECURED FLAT GRATE.



OPTIONS

Cat. No.	Pipe Size	Wt. Lbs.	Suffix	Description
<input type="checkbox"/> 3292-A-46	2 (50)	19.0	<input type="checkbox"/> 39	GALVANIZED IRON PARTS
<input type="checkbox"/> 3293-A-46	3 (75)	17.0	<input type="checkbox"/> 179	SECURITY SCREWS
<input type="checkbox"/> 3294-A-46	4 (100)	17.0		

AutoCad.dwg