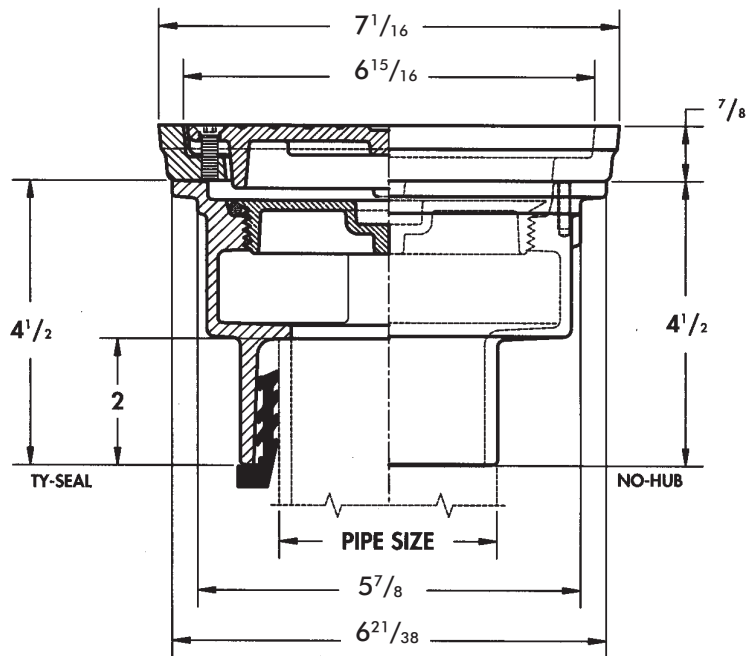
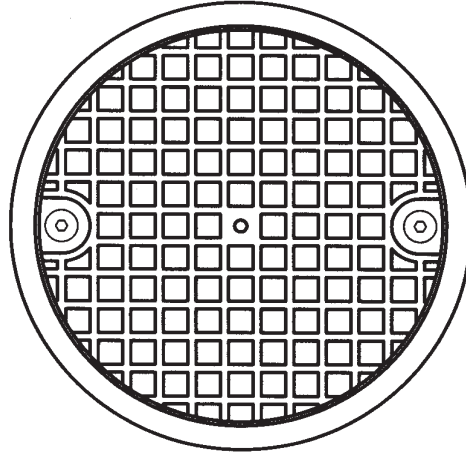


Non-Adjustable Floor Cleanout

WADE

8200-Z Painted cast iron floor cleanout with flange, round scoriated ductile iron secured cover, gas and watertight brass plug with neoprene seal and bottom outlet.
ANSI Load Class - S.D. = Special Duty (Over 10,000 Lbs.)



Cat. No.	Pipe Size	Wt. Lbs.
<input type="checkbox"/> 8202-Z	2	5.3
<input type="checkbox"/> 8203-Z	3	8.0
<input type="checkbox"/> 8204-Z	4	11.0

OUTLETS

Suffix	Description
<input type="checkbox"/> NH	No-Hub
<input type="checkbox"/> TY	Ty-Seal

OPTIONS

Suffix	Description
<input type="checkbox"/> 1	Satin Finish Nickel Bronze Veneer Top
<input type="checkbox"/> 39	Galvanized Iron Parts
<input type="checkbox"/> 72	Carpet Marker
<input type="checkbox"/> 118	Bronze Plug