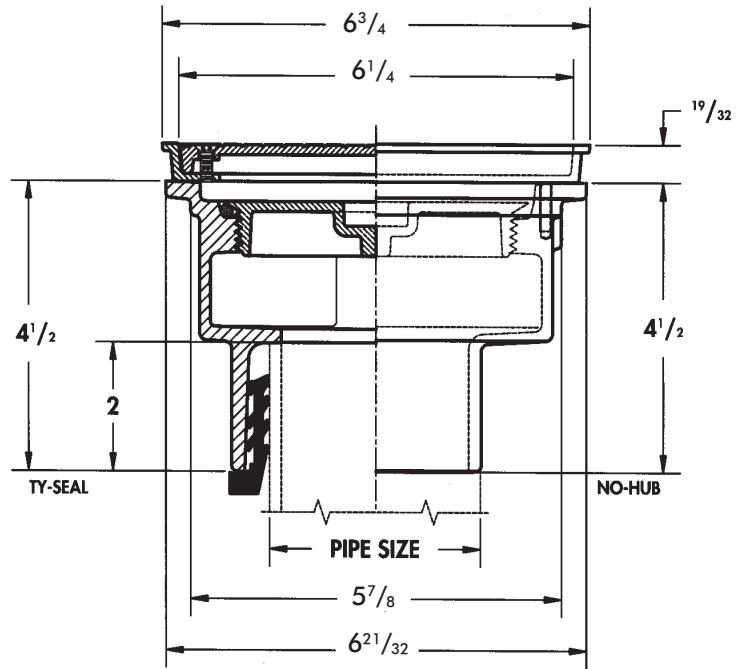
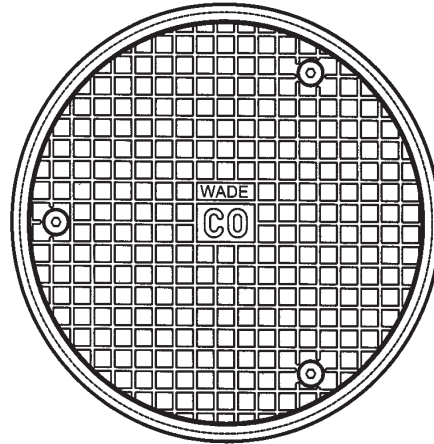


Non-Adjustable Floor Cleanout



8200 Painted cast iron floor cleanout with flange, round scoriated satin finish nickel bronze secured cover and frame, gas and watertight brass plug with neoprene seal and bottom outlet.
ANSI Load Class - L.D. = Light Duty (Under 2,000 Lbs.)



Cat. No.	Pipe Size	Wt. Lbs.
<input type="checkbox"/> 8202	2	5.3
<input type="checkbox"/> 8203	3	8.0
<input type="checkbox"/> 8204	4	11.0

OUTLETS

Suffix	Description
<input type="checkbox"/> NH	No-Hub
<input type="checkbox"/> TY	Ty-Seal

OPTIONS

Suffix	Description
<input type="checkbox"/> 39	Galvanized Iron Parts
<input type="checkbox"/> 72	Carpet Marker
<input type="checkbox"/> 118	Bronze Plug