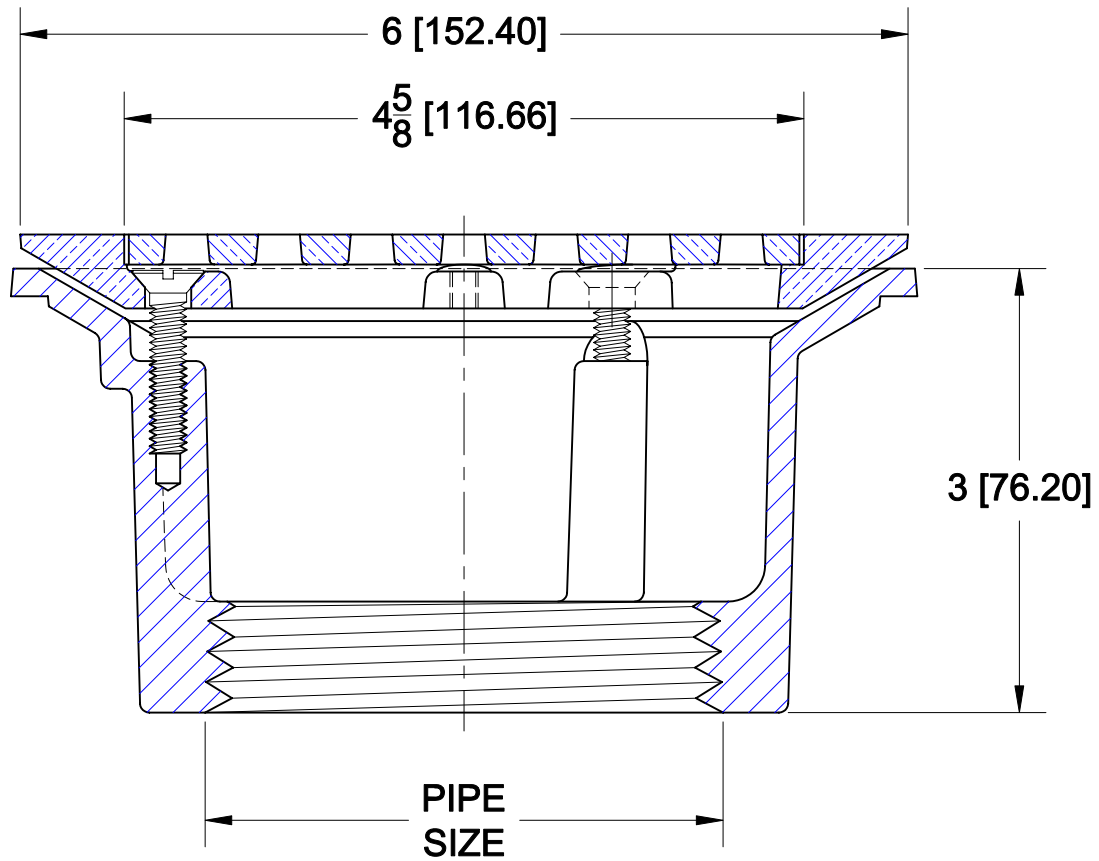


BALCONY DRAIN



3240-B-48

CAST IRON BALCONY OR SILL DRAIN WITH THREADED BOTTOM OUTLET, BRASS FLASHING CLAMP AND SECURED FLAT STRAINER.



OPTIONS

Cat. No.	Pipe Size	Wt. Lbs.	Suffix	Description
<input type="checkbox"/> 3242-B-48	2 (50)	8.0	<input type="checkbox"/> 39	GALVANIZED IRON PARTS
<input type="checkbox"/> 3243-B-48	3 (75)	7.0	<input type="checkbox"/> 102	CHROME PLATED TOP

AutoCad.dwg