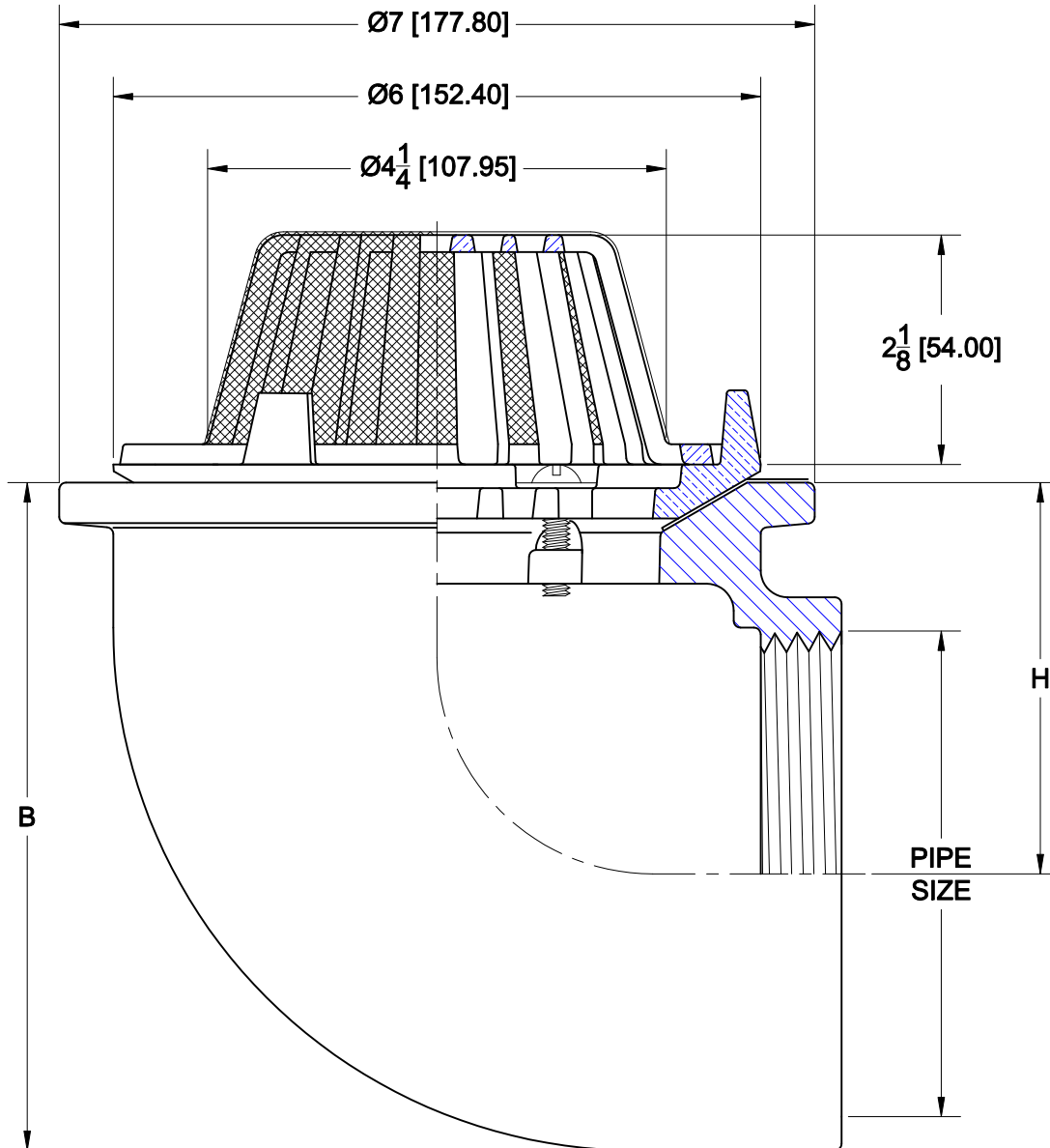


# SILL DRAIN



3230-49

CAST IRON PLANTING AREA DRAIN WITH BRONZE FLASHING CLAMP AND DOME, STAINLESS STEEL MESH SCREEN & THREADED SIDE OUTLET



PIPE SIZE	B	H
2 (50)	4 (101.6)	2 1/2 (63.5)
3 (75)	5 1/4 (133.3)	3 1/4 (82.5)
4 (100)	6 1/4 (158.7)	3 3/4 (95.2)

### OPTIONS

Cat. No.	Pipe Size	Wt. Lbs.	Suffix	Description
<input type="checkbox"/> 3232-49	2 (50)	11.0	<input type="checkbox"/> 39	GALVANIZED IRON PARTS
<input type="checkbox"/> 3233-49	3 (75)	12.0	<input type="checkbox"/>	
<input type="checkbox"/> 3234-49	4 (100)	15.0		

AutoCad.dwg