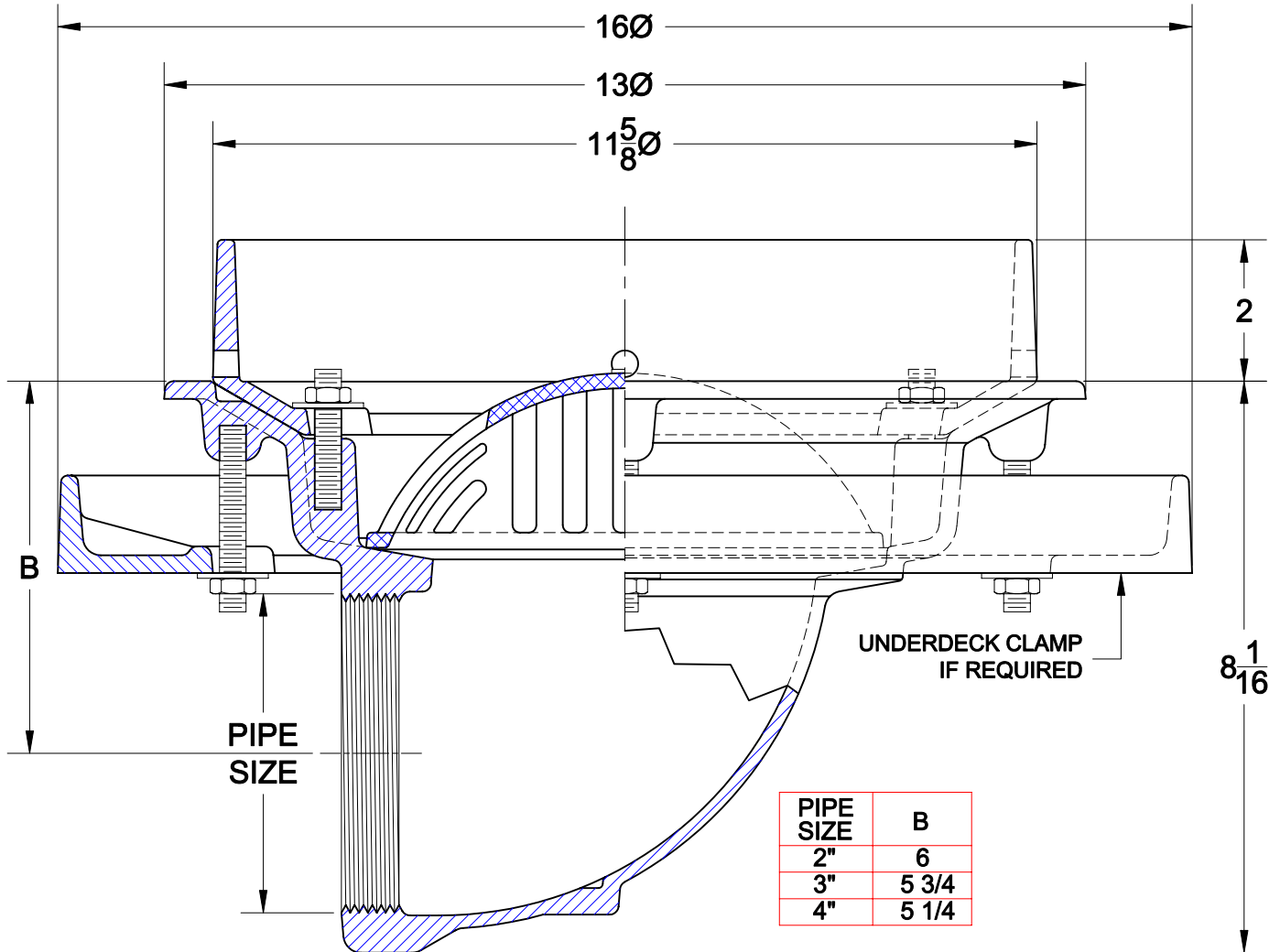


INDIRECT WASTE DRAIN



3220-A-RS

CAST IRON INDIRECT WASTE DRAIN WITH FLANGE, RECEPTOR INTEGRAL WITH FLASHING CLAMP, ALUMINUM DOME STRAINER & THREADED SIDE OUTLET.



OPTIONS

Cat. No.	Pipe Size	Wt. Lbs.	Suffix	Description
<input type="checkbox"/> 3222-A-RS	2	45.0	<input type="checkbox"/> DF	EXTENSION FLANGE
<input type="checkbox"/> 3223-A-RS	3	45.0	<input type="checkbox"/> 39	GALVANIZED IRON PARTS
<input type="checkbox"/> 3224-A-RS	4	45.0	<input type="checkbox"/> 52	BEARING PAN
			<input type="checkbox"/> 53	UNDERDECK CLAMP