

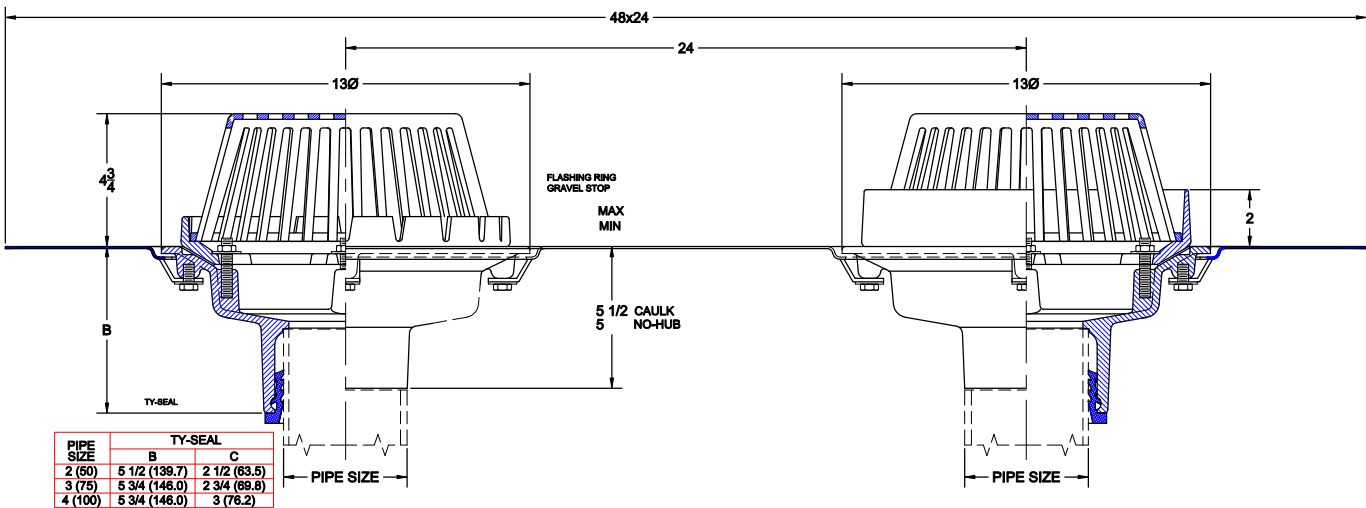
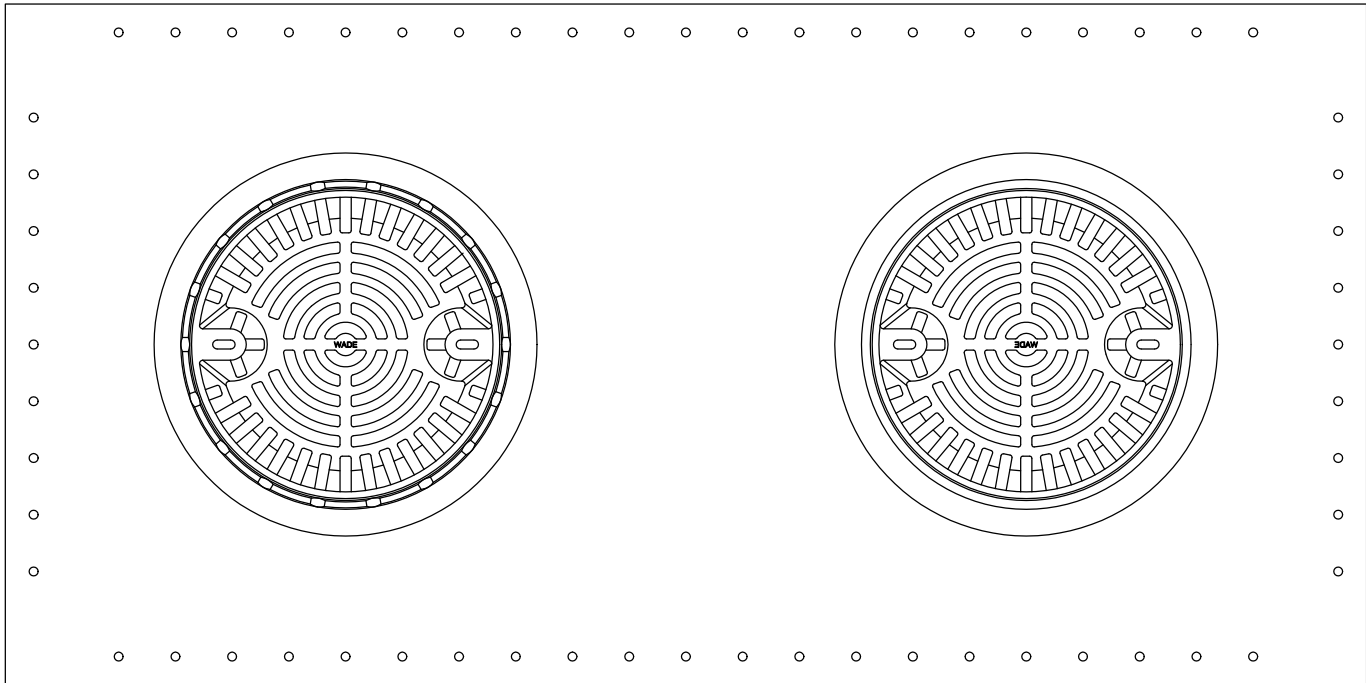
MEDIUM ROOF DRAIN



3220-198

CAST IRON COMBINATION ROOF AND OVERFLOW DRAIN WITH FLASHING CLAMP INTEGRAL WITH GRAVEL GUARD, DAM, POLYPROPYLENE DOMES AND BOTTOM OUTLETS.

DOMES FREE AREA = 67.3 SQ.IN.



OPTIONS

Cat. No.	Pipe Size	Wt. Lbs.	Suffix	Description
<input type="checkbox"/> 3222-198	2 (50)	28.0	<input type="checkbox"/> 3	ROUGH BRONZE DOME
<input type="checkbox"/> 3223-198	3 (75)	28.0	<input type="checkbox"/> 5	VANDAL PROOF
<input type="checkbox"/> 3224-198	4 (100)	29.0	<input type="checkbox"/> 42	CAST IRON DOME
<input type="checkbox"/> 3225-198	5 (125)	31.0	<input type="checkbox"/> 46	ALUMINUM DOME
<input type="checkbox"/> 3226-198	6 (150)	30.0		

OUTLETS

<input type="checkbox"/> NH	NO-HUB	<input type="checkbox"/> TY	TY-SEAL	<input type="checkbox"/> IC	INSIDE CAULK	<input type="checkbox"/> IPS	THREADED
-----------------------------	--------	-----------------------------	---------	-----------------------------	--------------	------------------------------	----------

AutoCad.dwg