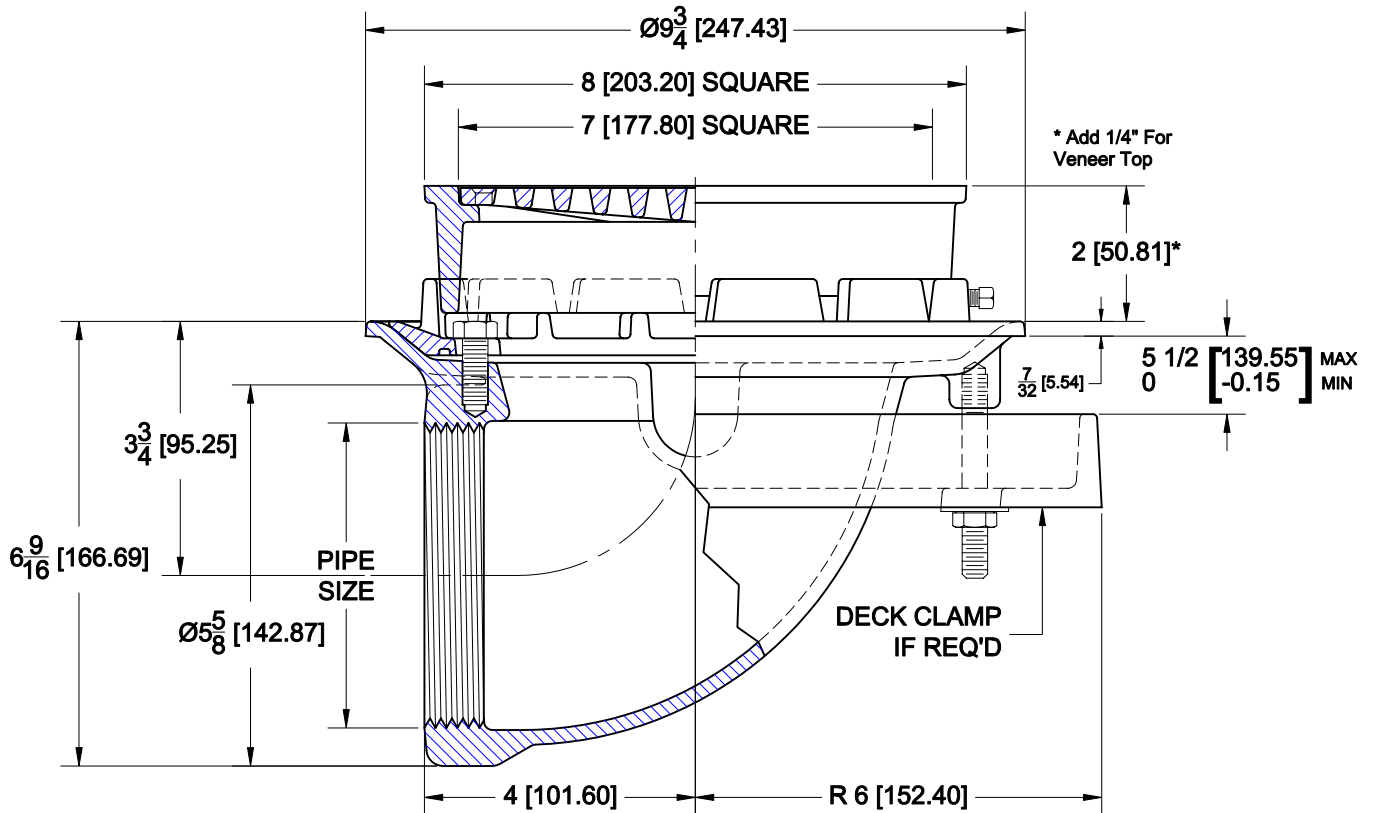


Small Roof Drain



3210-P

Cast iron deck drain with flashing clamp integral with gravel stop, ductile iron secured hell proof grate and threaded side outlet.



VARIATIONS

Suffix	Description
DF	Extension Flange (2" High)
DFS	Perforated Extension (2", 3", 4")

OPTIONS

Cat. No.	Pipe Size	Wt. Lbs.	Suffix	Description
3212-P	2 (50)	19.0	1	Satin Finish Nickel Bronze Veneer Top
3213-P	3 (75)	19.0	5	Vandal Proof
3214-P	4 (100)	19.0	39	Galvanized
			52	Bearing Pan
			53	Deck Clamp
			179	Security Screws

AutoCad.dwg