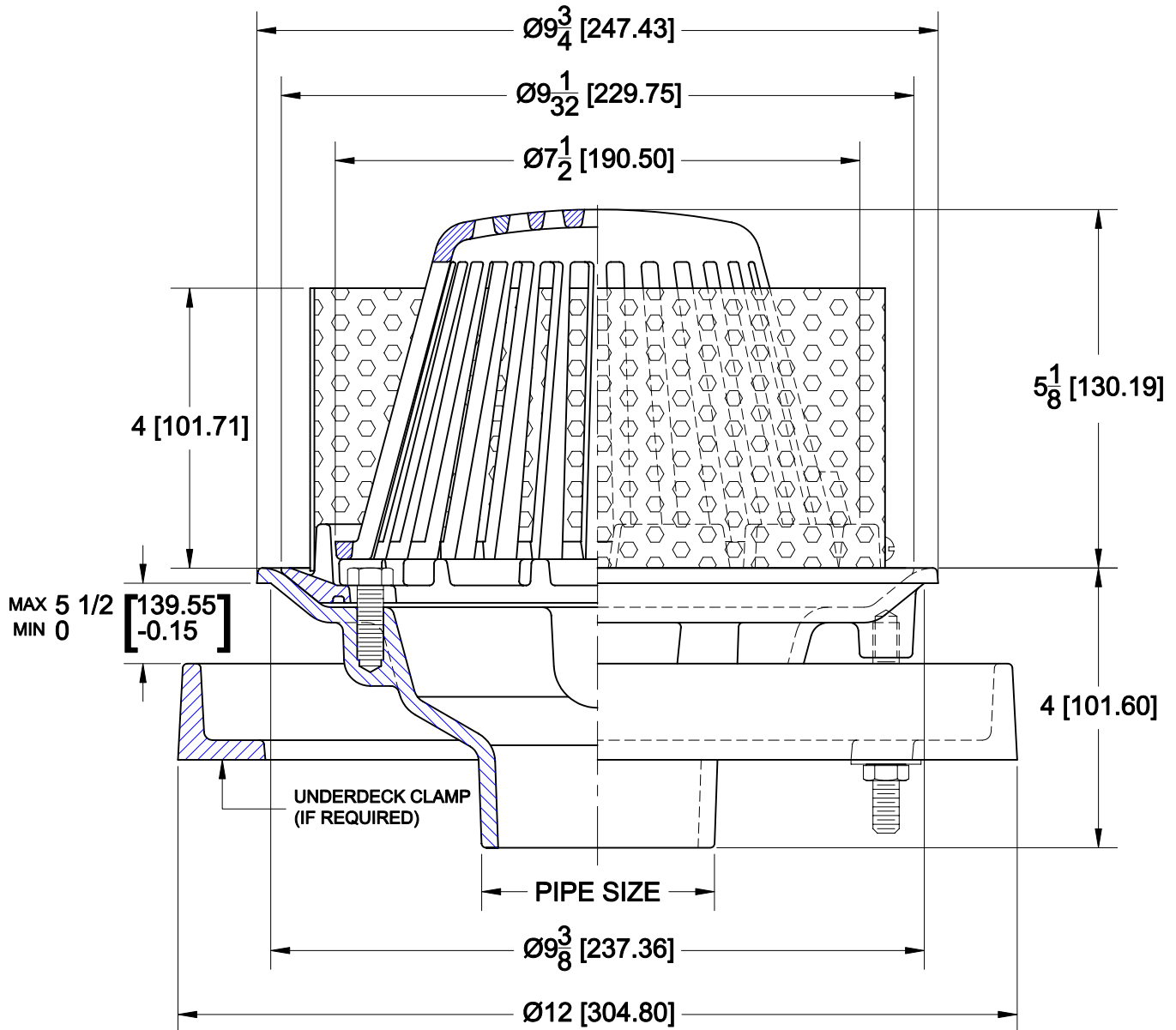


SMALL ROOF DRAIN



3200-DP

CAST IRON ROOF DRAIN WITH FLASHING RING INTEGRAL WITH GRAVEL STOP, CAST IRON DOME, S/S PERFORATED EXTENDED GRAVEL STOP AND NO-HUB BOTTOM OUTLET.



OPTIONS

Cat. No.	Pipe Size	Wt. Lbs.	Suffix	Description
<input type="checkbox"/> 3202-DP	2 (50)	19.0	<input type="checkbox"/> 5	Vandal Proof
<input type="checkbox"/> 3203-DP	3 (75)	19.0	<input type="checkbox"/> 39	Galvanized
<input type="checkbox"/> 3204-DP	4 (100)	19.0	<input type="checkbox"/> 52	Bearing Pan
<input type="checkbox"/> 3206-DP	6 (150)	19.0	<input type="checkbox"/> 53	Deck Clamp
			<input type="checkbox"/> 179	Security Screws

AutoCad.dwg