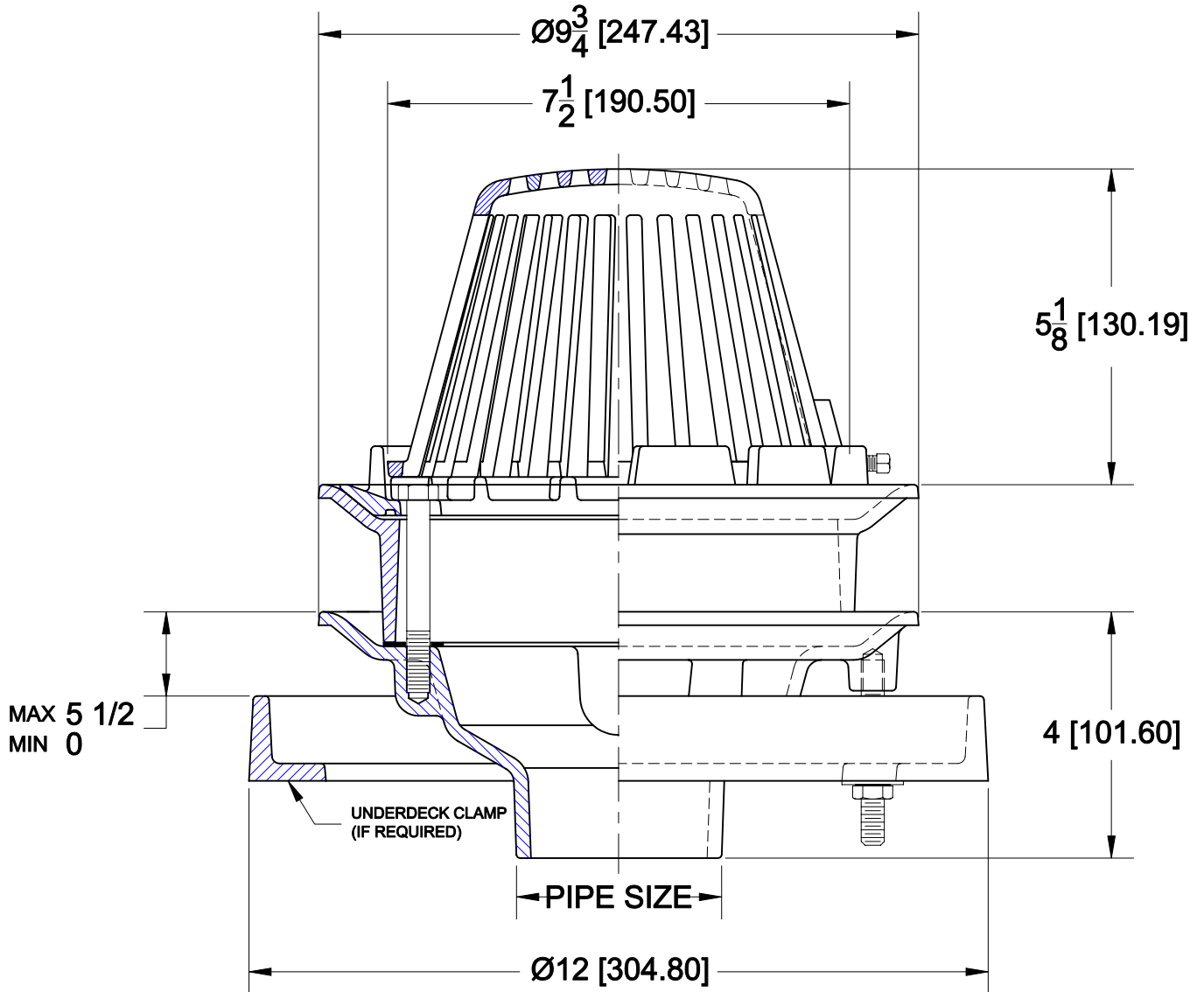


# SMALL ROOF DRAIN



## 3200-DF

Cast iron small roof drain with flashing clamp integral with gravel stop, cast iron beehive dome strainer, extension and No-Hub bottom outlet.



### OPTIONS

| Cat. No.                         | Pipe Size | Wt. Lbs. | Suffix                      | Description  |
|----------------------------------|-----------|----------|-----------------------------|--------------|
| <input type="checkbox"/> 3202-DF | 2 (50)    | 19.0     | <input type="checkbox"/> 5  | Vandal Proof |
| <input type="checkbox"/> 3203-DF | 3 (75)    | 19.0     | <input type="checkbox"/> 39 | Galvanized   |
| <input type="checkbox"/> 3204-DF | 4 (100)   | 19.0     | <input type="checkbox"/> 53 | Deck Clamp   |