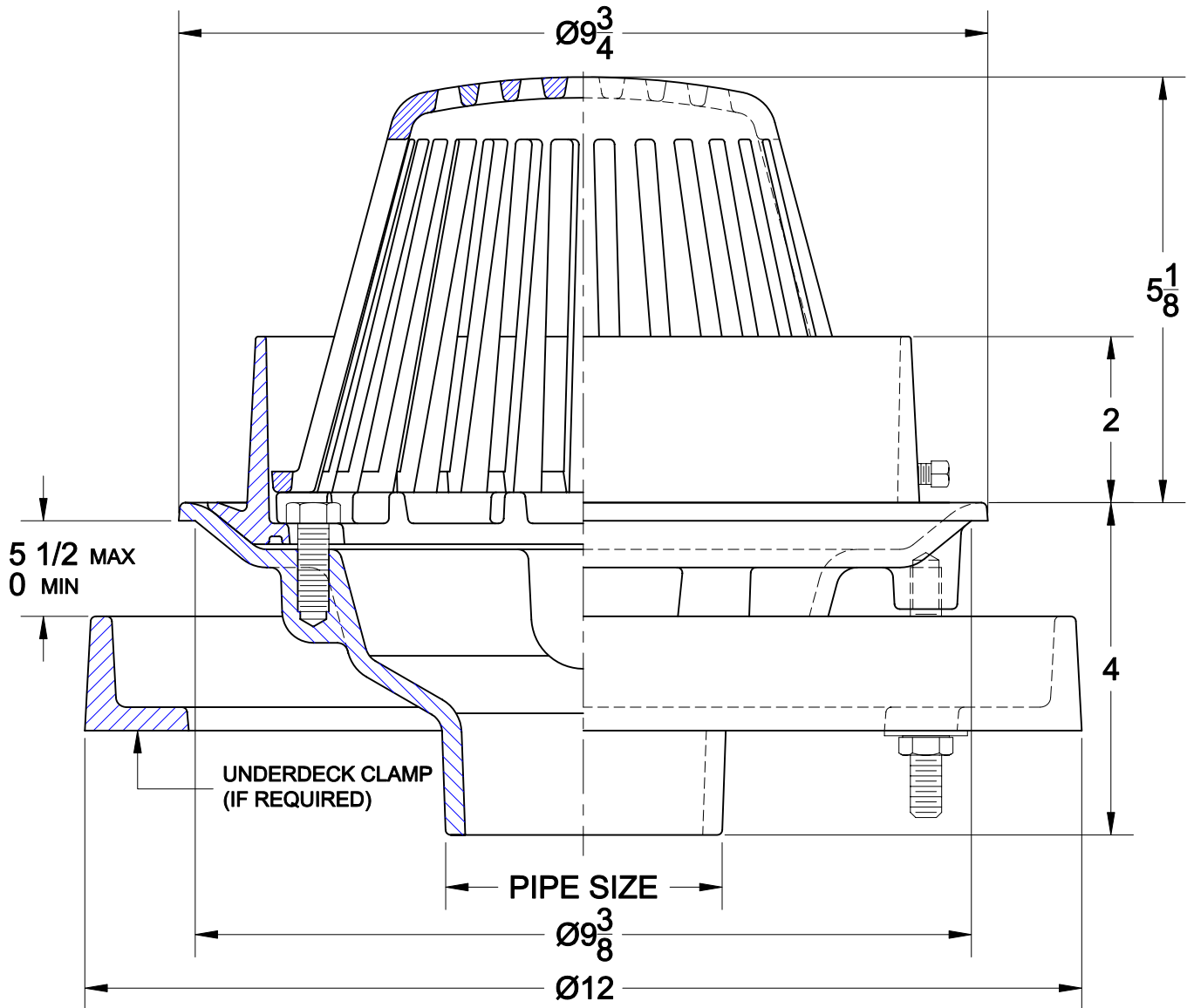


Small Roof Drain



3200-D

Cast iron roof drain with flashing clamp integral with gravel stop and dam, cast iron beehive dome strainer and No-Hub bottom outlet.



OPTIONS

Cat. No.	Pipe Size	Wt. Lbs.	Suffix	Description
<input type="checkbox"/> 3203-D	2	19.0	<input type="checkbox"/> 5	Vandal Proof
<input type="checkbox"/> 3203-D	3	19.0	<input type="checkbox"/> 39	Galvanized
<input type="checkbox"/> 3204-D	4	19.0	<input type="checkbox"/> 52	Bearing Pan
			<input type="checkbox"/> 53	Deck Clamp
			<input type="checkbox"/> 179	Security Screws