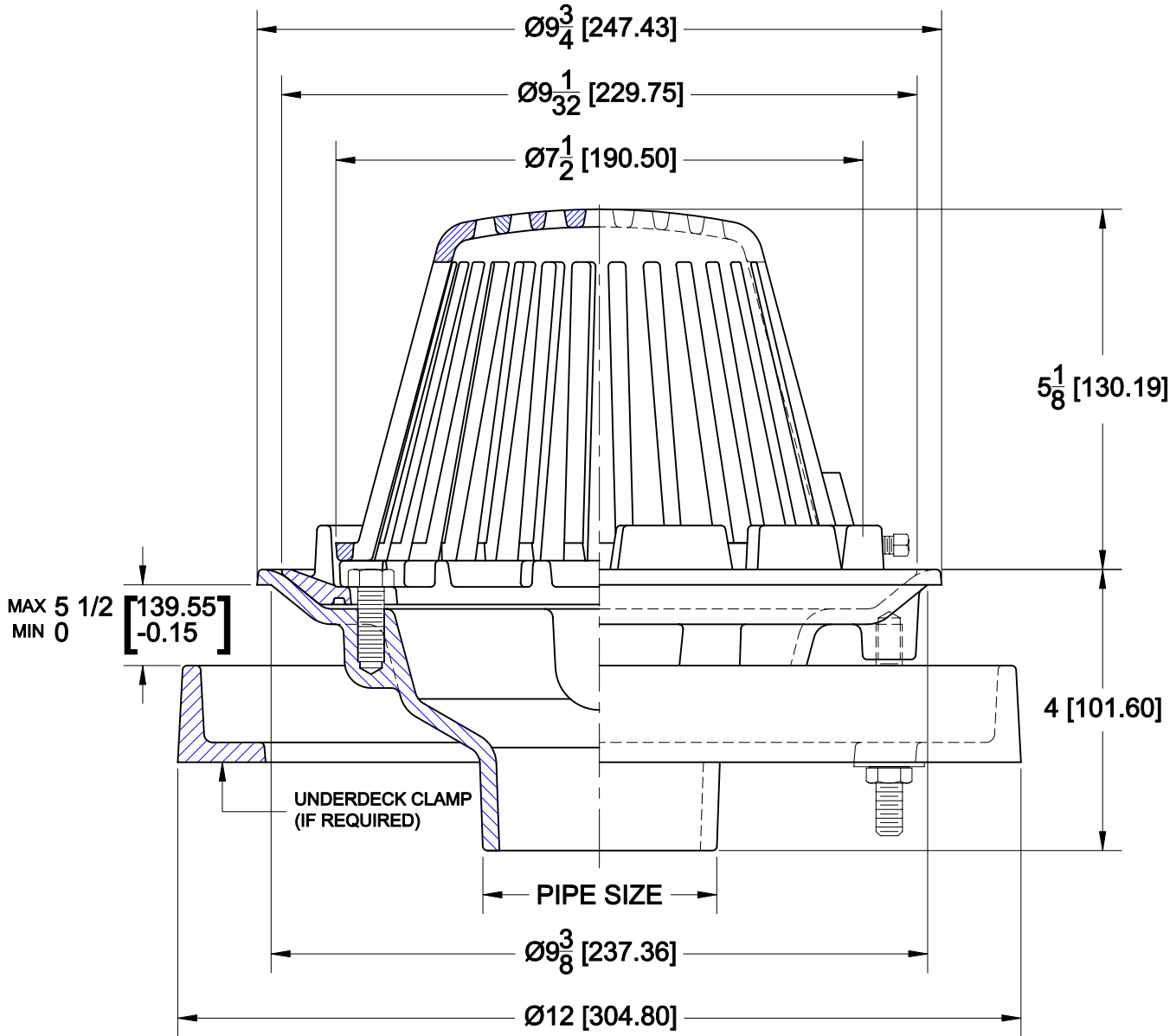


Small Roof Drain



3200-46

Cast iron roof drain with flashing clamp integral with gravel stop, aluminum dome strainer and bottom outlet.



OUTLETS

Suffix	Description
<input type="checkbox"/> NH	NO-HUB
<input type="checkbox"/> TY	TY-SEAL (2-4" ONLY)

VARIATIONS

Suffix	Description
<input type="checkbox"/> DF	Extension Flange (2" High)
<input type="checkbox"/> DFS	Perforated Extension (2", 3", 4")
<input type="checkbox"/> D	Dam (2" High)

OPTIONS

Suffix	Description
<input type="checkbox"/> 5	Vandal Proof
<input type="checkbox"/> 39	Galvanized
<input type="checkbox"/> 52	Bearing Pan
<input type="checkbox"/> 53	Deck Clamp
<input type="checkbox"/> 179	Security Screws

Cat. No.	Pipe Size	Wt. Lbs.
<input type="checkbox"/> 3202-46	2 (50)	19.0
<input type="checkbox"/> 3203-46	3 (75)	19.0
<input type="checkbox"/> 3204-46	4 (100)	19.0
<input type="checkbox"/> 3206-46	6 (150)	19.0

AutoCad.dwg