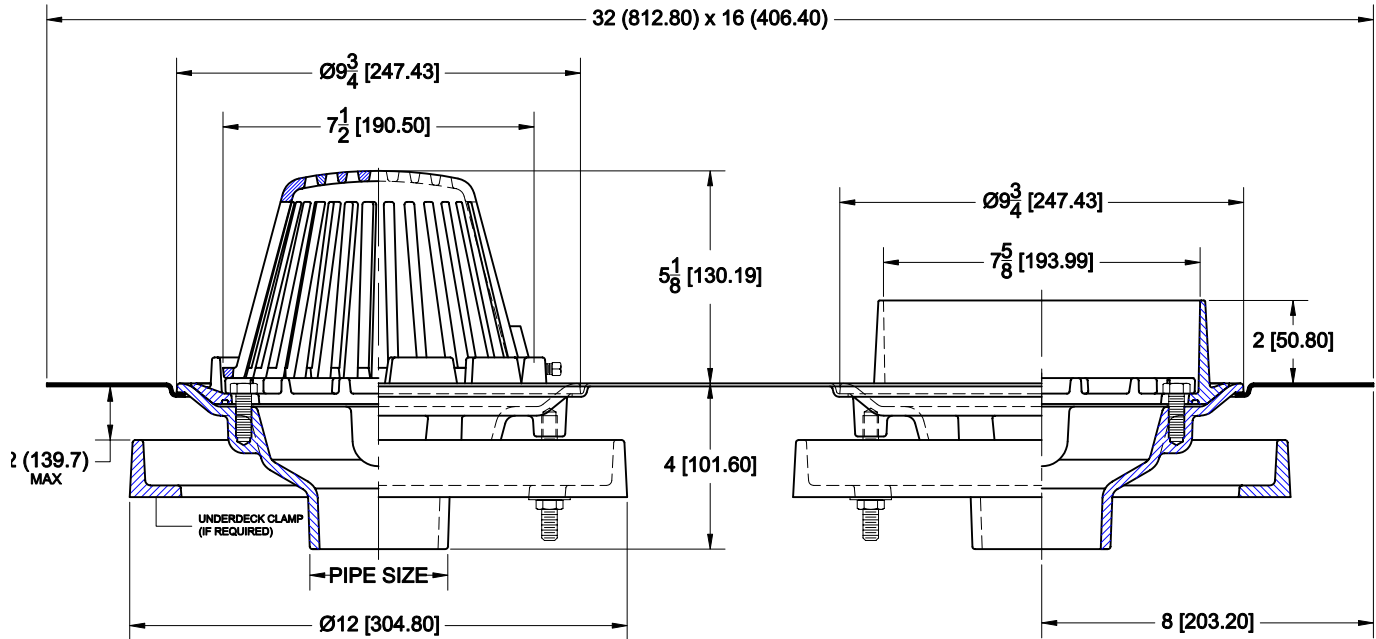


Small Combo Roof / Overflow Drain



3200-190

Cast iron combination roof and overflow drain with flashing clamp integral with gravel stop, cast iron beehive dome strainer and overflow drain w/ dam in double bearing pan. No-Hub bottom outlet.



OPTIONS

Cat. No.	Pipe Size	Wt. Lbs.	Suffix	Description
<input type="checkbox"/> 3202-190	2 (50)	38.0	<input type="checkbox"/> 5	Vandal Proof
<input type="checkbox"/> 3203-190	3 (75)	38.0	<input type="checkbox"/> 39	Galvanized
<input type="checkbox"/> 3204-190	4 (100)	38.0	<input type="checkbox"/> 53	Deck Clamp
<input type="checkbox"/> 3206-190	6 (150)	38.0		