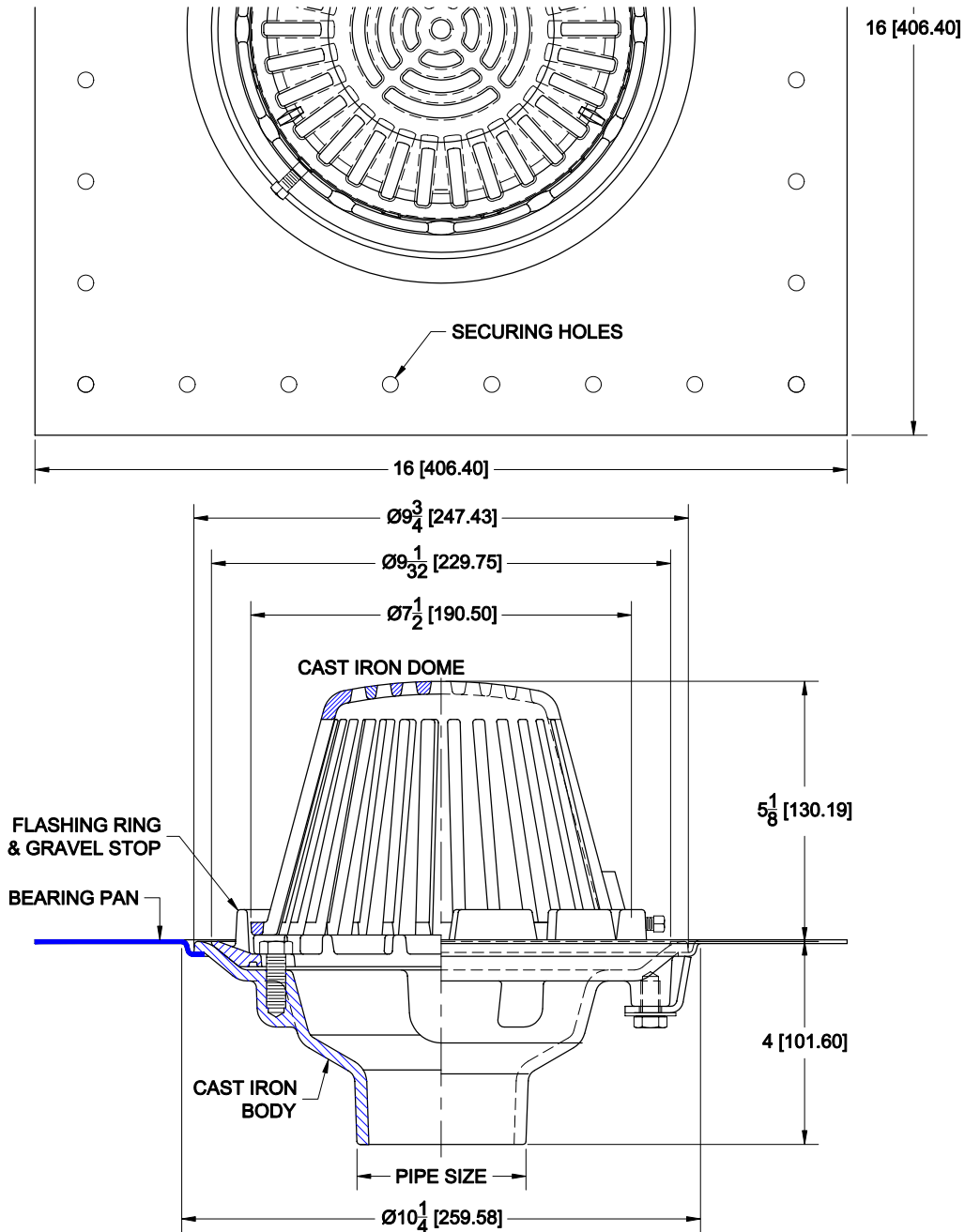


# SMALL ROOF DRAIN



3200-189

CAST IRON ROOF DRAIN WITH FLASHING CLAMP INTEGRAL WITH GRAVEL STOP, CAST IRON DOME BEARING PAN, SECURING PACKAGE AND NO-HUB BOTTOM OUTLET.



## VARIATIONS

Cat. No.	Pipe Size	Wt. Lbs.	Suffix	Description
3202-189	2 (50)	19.0	DF	FIXED EXTENSION (2" High)
3203-189	3 (75)	19.0	DFS	PERFORATED EXTENSION (2",3",4")
3204-189	4 (100)	19.0	D	DAM (2" HIGH)
3206-189	6 (150)	19.0		

## OPTIONS

Suffix	Description
5	VANDAL PROOF
39	GALVANIZED IRON PARTS

AutoCad.dwg