

# FLOOR CLEANOUT



Approval Date

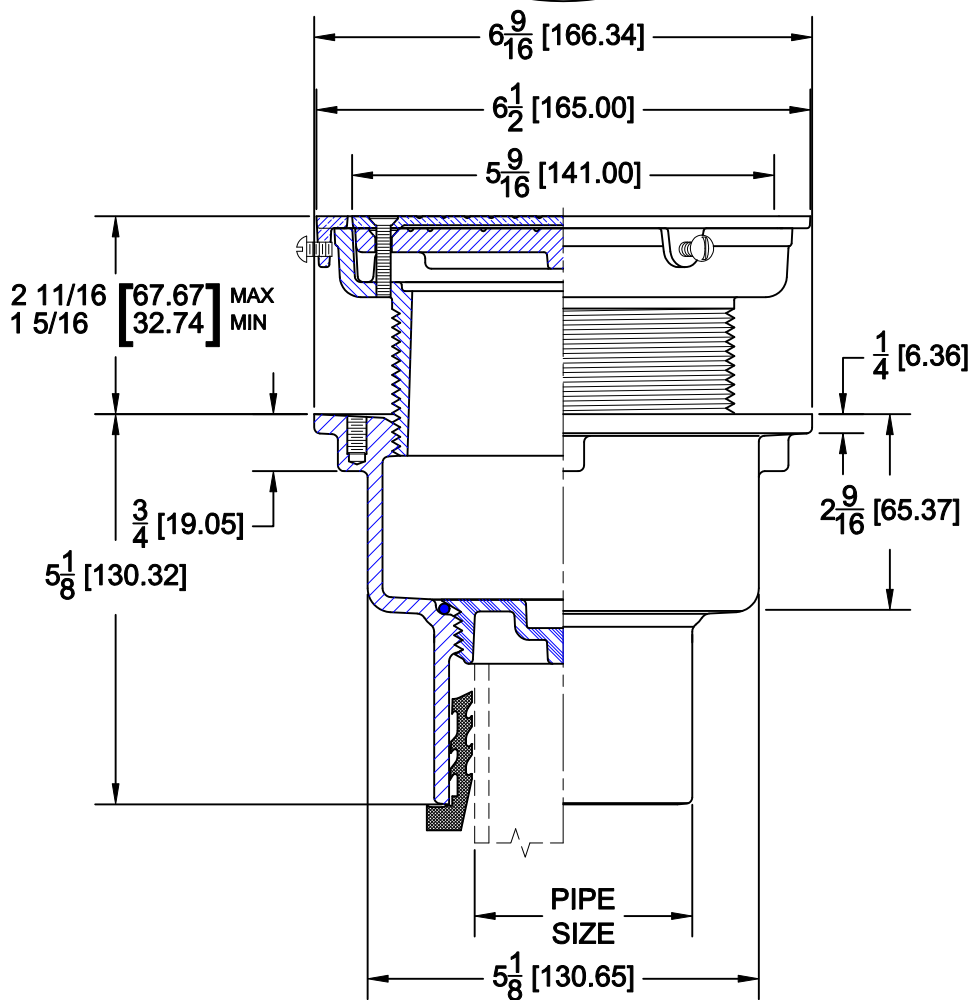
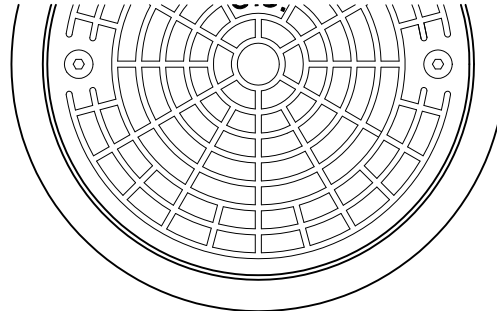
8000-Z-1

PAINTED CAST IRON FLOOR CLEANOUT WITH THREADED ADJUSTABLE HOUSING, DUCTILE IRON TRACTOR STYLE SCORIATED COVER, SATIN FINISH NICKEL BRONZE VENEER, PLASTIC GASKETED PLUG, VANDAL PROOF SCREWS AND BOTTOM OUTLET.

ASME LOAD RATING - SD (SPECIAL DUTY) OVER 10,000 LBS

Customer Approval

Wade Division / Tyler Pipe Assumes No Responsibility For Superseded or Voided Data



Job Location

Dimensional Data (Inches/mm) are Subject to Manufacturers Tolerance and Change Without Notice.

Job Name

### OPTIONS

Cat. No.	Pipe Size	Wt. Lbs.	Suffix	Description
<input type="checkbox"/> 8002-Z-1	2 (50)	6.0	<input type="checkbox"/> 39	GALVANIZED IRON PARTS
<input type="checkbox"/> 8003-Z-1	3 (75)	6.4	<input type="checkbox"/> 118	BRONZE GASKETED PLUG
<input type="checkbox"/> 8004-Z-1	4 (100)	7.0	<input type="checkbox"/> 179	SECURITY SCREWS

TY TY-SEAL     NH NO-HUB

AutoCad.dwg

6-18-14

WADE • 11910 CR 492 • Tyler, TX 75706 • PH (903)882-5511 • FAX (888)879-9233  
 WADE Canada • 6200 Rue Principale • Ste-Croix Quebec GOS 2H0 • PH (800)463-3480 Ext. 2227 • FAX (888)879-9233

A-80181