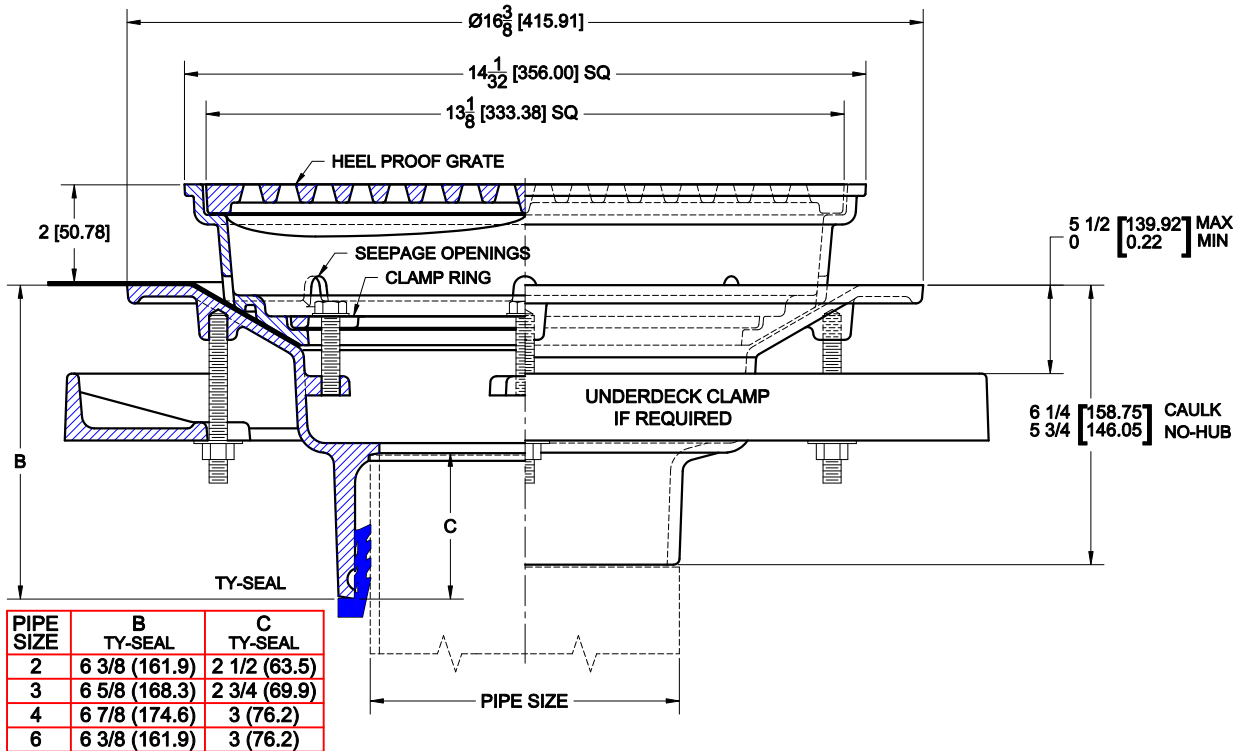
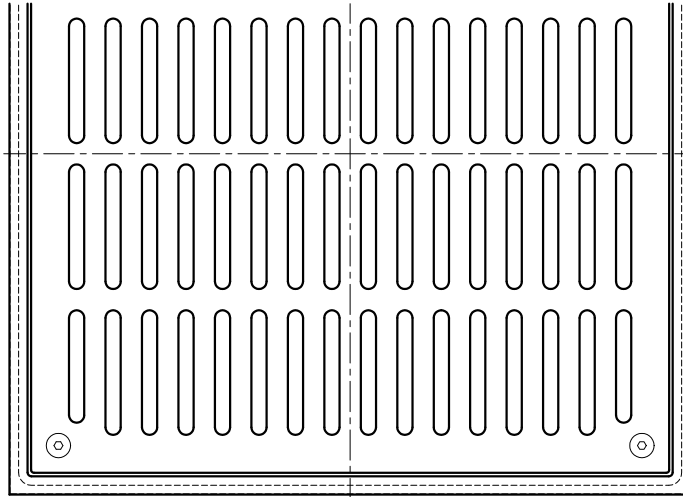


PROMENADE DECK DRAIN



3100-M

CAST IRON PROMENADE DECK DRAIN WITH FLANGE, FLASHING RING, HEEL PROOF DUCTILE IRON GRATE AND BOTTOM OUTLET.



OPTIONS

Cat. No.	Pipe Size	Wt. Lbs.	Suffix	Description
<input type="checkbox"/> 3102-M	2 (50)	42.0	<input type="checkbox"/> 1	SATIN NICKEL BRONZE VENEER TOP
<input type="checkbox"/> 3103-M	3 (75)	44.0	<input type="checkbox"/> 5	VANDAL PROOF
<input type="checkbox"/> 3104-M	4 (100)	45.0	<input type="checkbox"/> 39	GALVANIZED IRON PARTS
<input type="checkbox"/> 3105-M	5 (125)	47.0	<input type="checkbox"/> 52	BERARING PAN (SUMP RECEIVER)
<input type="checkbox"/> 3106-M	6 (150)	48.0	<input type="checkbox"/> 53	UNDER DECK CLAMP
<input type="checkbox"/> 3108-M	8 (200)	48.0	<input type="checkbox"/> 55	EXTENSION ADAPTOR (ADDS 1")

OUTLETS

<input type="checkbox"/> NH	NO-HUB (2-8")	<input type="checkbox"/> TY	TY-SEAL (2-6")	<input type="checkbox"/> IC	INSIDE CAULK (2-6")	<input type="checkbox"/> IPS	THREADED (2-8")
-----------------------------	---------------	-----------------------------	----------------	-----------------------------	---------------------	------------------------------	-----------------

AutoCad.dwg