

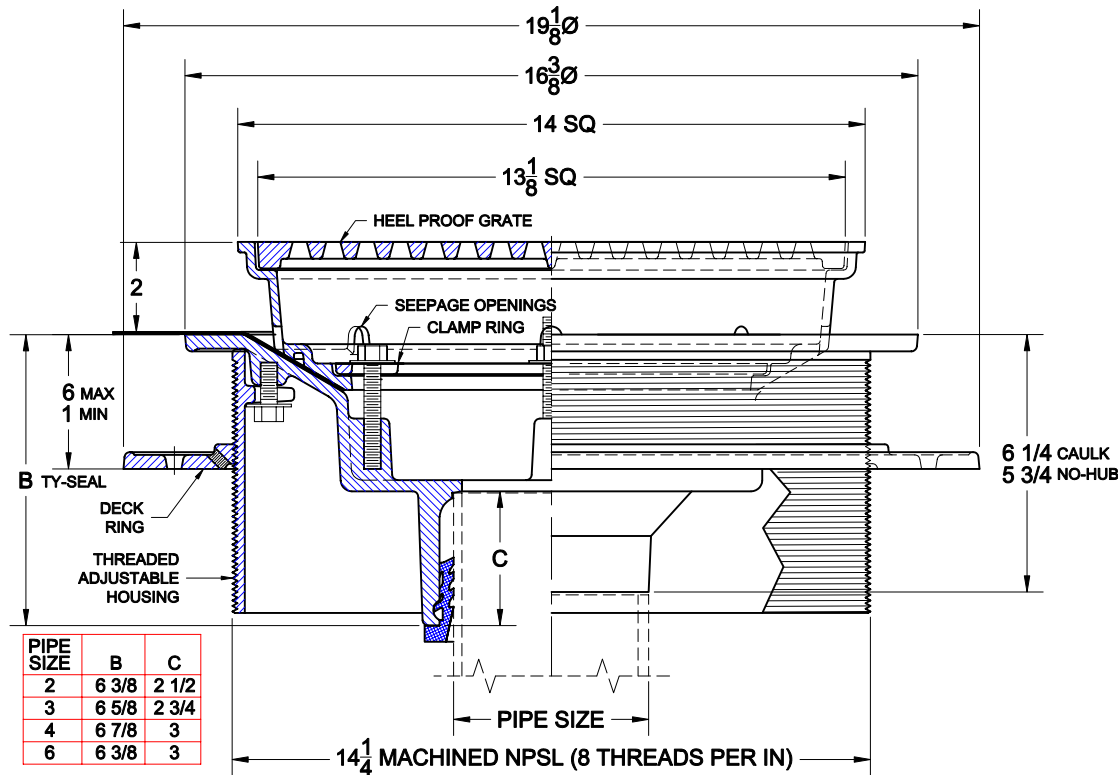
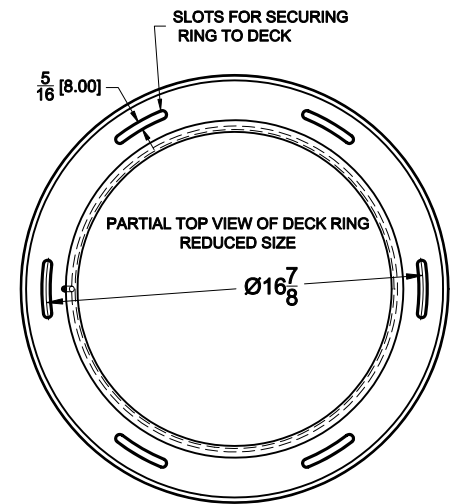
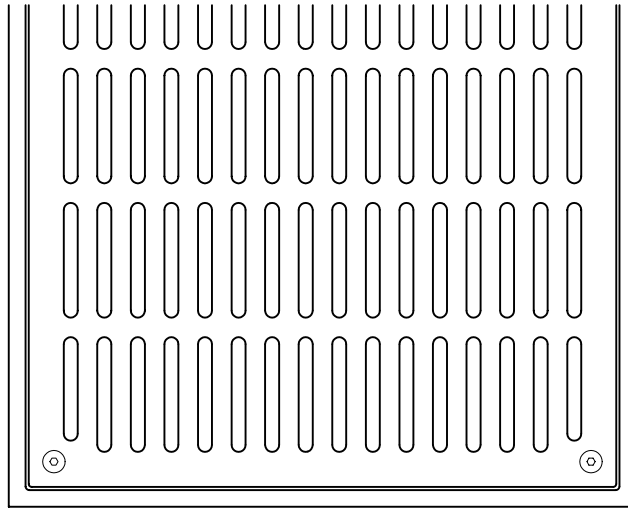
ADJUSTABLE ROOF DRAIN



Approval Date
 Customer Approval
 Job Location
 Job Name

3100-M-AE

CAST IRON PROMENADE DECK DRAIN WITH DUCTILE IRON HEEL PROOF GRATE, FLASHING RING INTEGRAL WITH GRAVEL STOP, DECK RING WITH WIDE FLANGE, THREADED ADJUSTABLE COLLAR, AND BOTTOM OUTLET.



OPTIONS

Cat. No.	Pipe Size	Wt. Lbs.	Suffix	Description
<input type="checkbox"/> 3102-M-AE	2	80.0	<input type="checkbox"/> 1	SATIN NICKEL BRONZE VENEER TOP
<input type="checkbox"/> 3103-M-AE	3	80.5	<input type="checkbox"/> 5	VANDAL PROOF
<input type="checkbox"/> 3104-M-AE	4	81.0	<input type="checkbox"/> 39	GALVANIZED IRON PARTS
<input type="checkbox"/> 3105-M-AE	5	81.0		
<input type="checkbox"/> 3106-M-AE	6	82.0		
<input type="checkbox"/> 3108-M-AE	8	82.0		

OUTLETS

nh NO-HUB
 TY TY-SEAL
 IC INSIDE CAULK
 IPS THREADED

AutoCad.dwg