

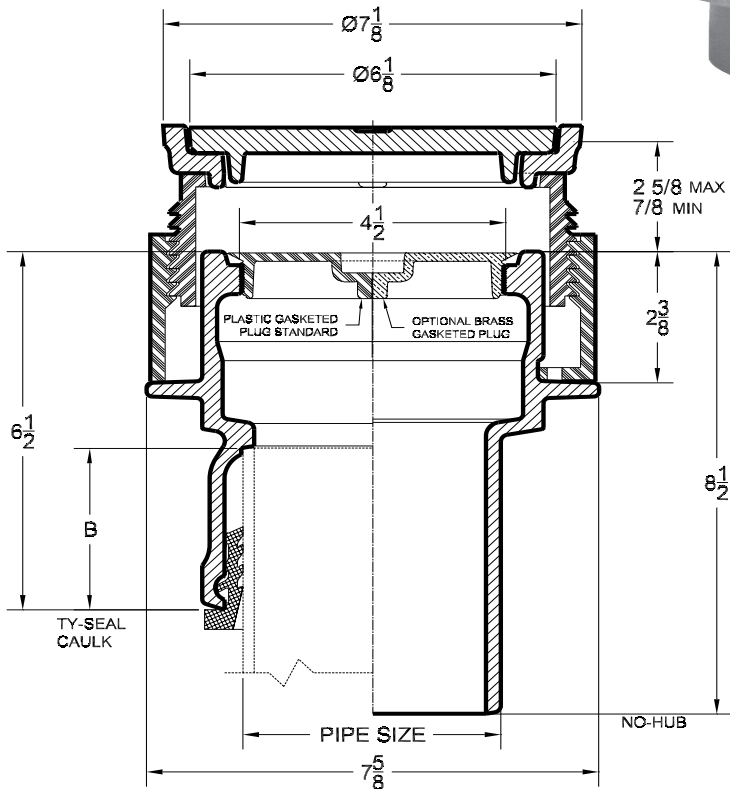
Floor Cleanouts



6000Z (Spigot Outlet, SV Hub Outlet)

Cast iron cleanout with threaded adjustable housing, flanged ferrule with round scoriated cast iron or with nickel bronze veneer tractor type cover.

ANSI Load Class - Special Duty
(Over 10,000 lbs)



OUTLET

Suffix	Description
<input type="checkbox"/> TY....	Ty-Seal
<input type="checkbox"/> NH ..	No-Hub
<input type="checkbox"/> IC	Inside Caulk (2", 3", 4")

OPTIONS

Suffix	Description
<input type="checkbox"/> 1	Nickel Bronze Veneer
<input type="checkbox"/> 39.....	Galvanized Iron Parts
<input type="checkbox"/> 75.....	Bronze Plug
<input type="checkbox"/> 179.....	Security Screws

Cat. No.	Pipe Size	B	Wt. Lbs.
<input type="checkbox"/> 6002Z	2	2 1/2	16
<input type="checkbox"/> 6003Z	3	2 3/4	17
<input type="checkbox"/> 6004Z	4	3	18
<input type="checkbox"/> 6005Z	5	3	19
<input type="checkbox"/> 6006Z	6	3	21