

# ROOF DRAIN W/ STANDPIPE

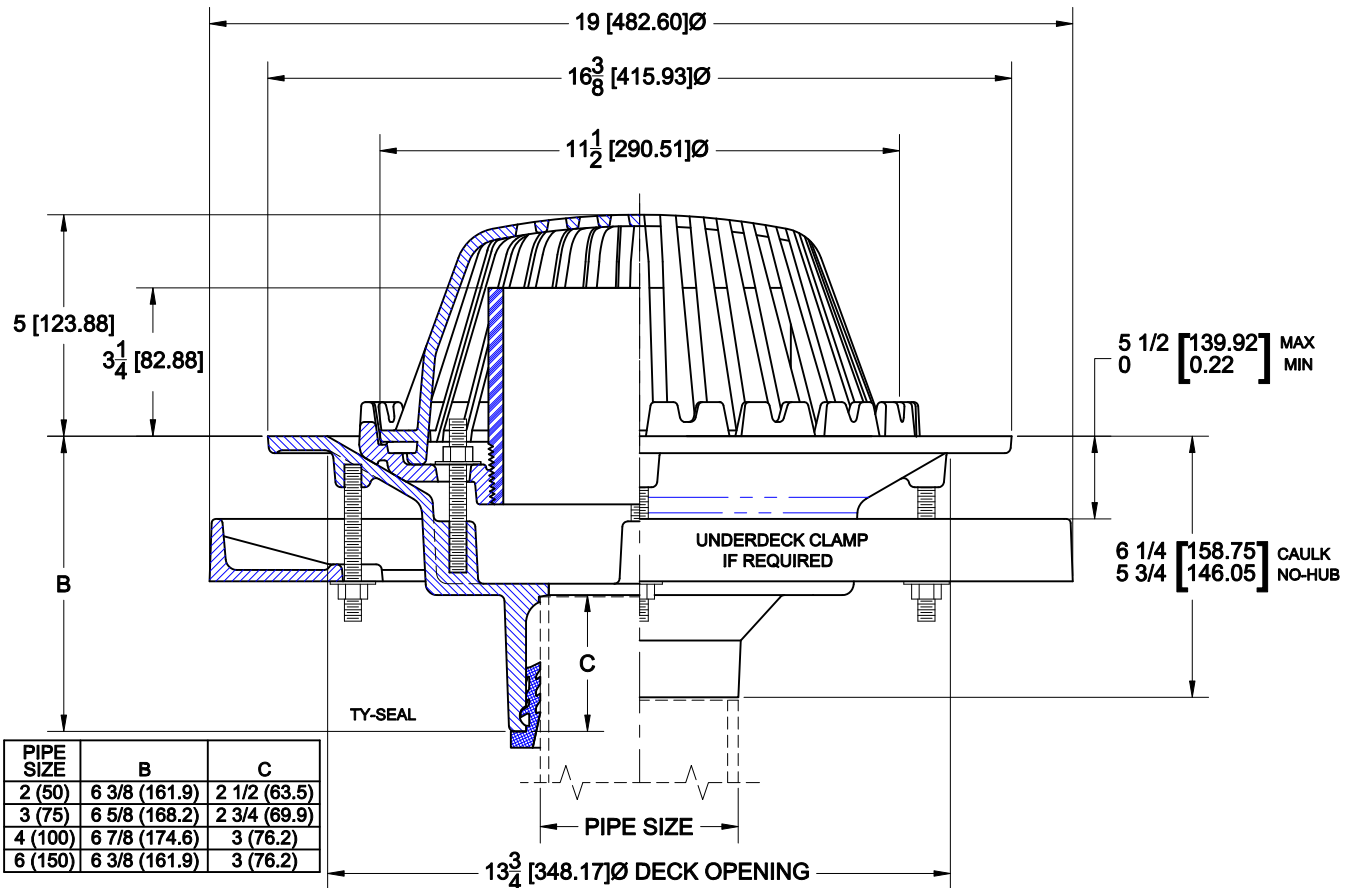


## 3000-SD

CAST IRON ROOF DRAIN WITH CLAMPING COLLAR INTEGRAL WITH GRAVEL STOP, POLYPROPYLENE MUSHROOM DOME, CAST IRON STANDPIPE AND BOTTOM OUTLET



CONFORMS TO ASME A112.21.2M



### OPTIONS

Cat. No.	Pipe Size	Wt. Lbs.	Suffix	Description
<input type="checkbox"/> 3002-SD	2 (50)	55.0	<input type="checkbox"/> 3	ROUGH BRONZE DOME
<input type="checkbox"/> 3003-SD	3 (75)	58.0	<input type="checkbox"/> 5	VANDAL PROOF
<input type="checkbox"/> 3004-SD	4 (100)	59.0	<input type="checkbox"/> 39	GALVANIZED IRON PARTS
<input type="checkbox"/> 3005-SD	5 (125)	60.0	<input type="checkbox"/> 42	CAST IRON DOME
<input type="checkbox"/> 3006-SD	6 (150)	62.0	<input type="checkbox"/> 46	ALUMINUM DOME
			<input type="checkbox"/> 52	BEARING PAN
			<input type="checkbox"/> 53	UNDERDECK CLAMP

### OUTLETS

- NH NO-HUB     
  IC INSIDE CAULK (8-10")     
  IPS THREADED (8" ONLY)

AutoCad.dwg