

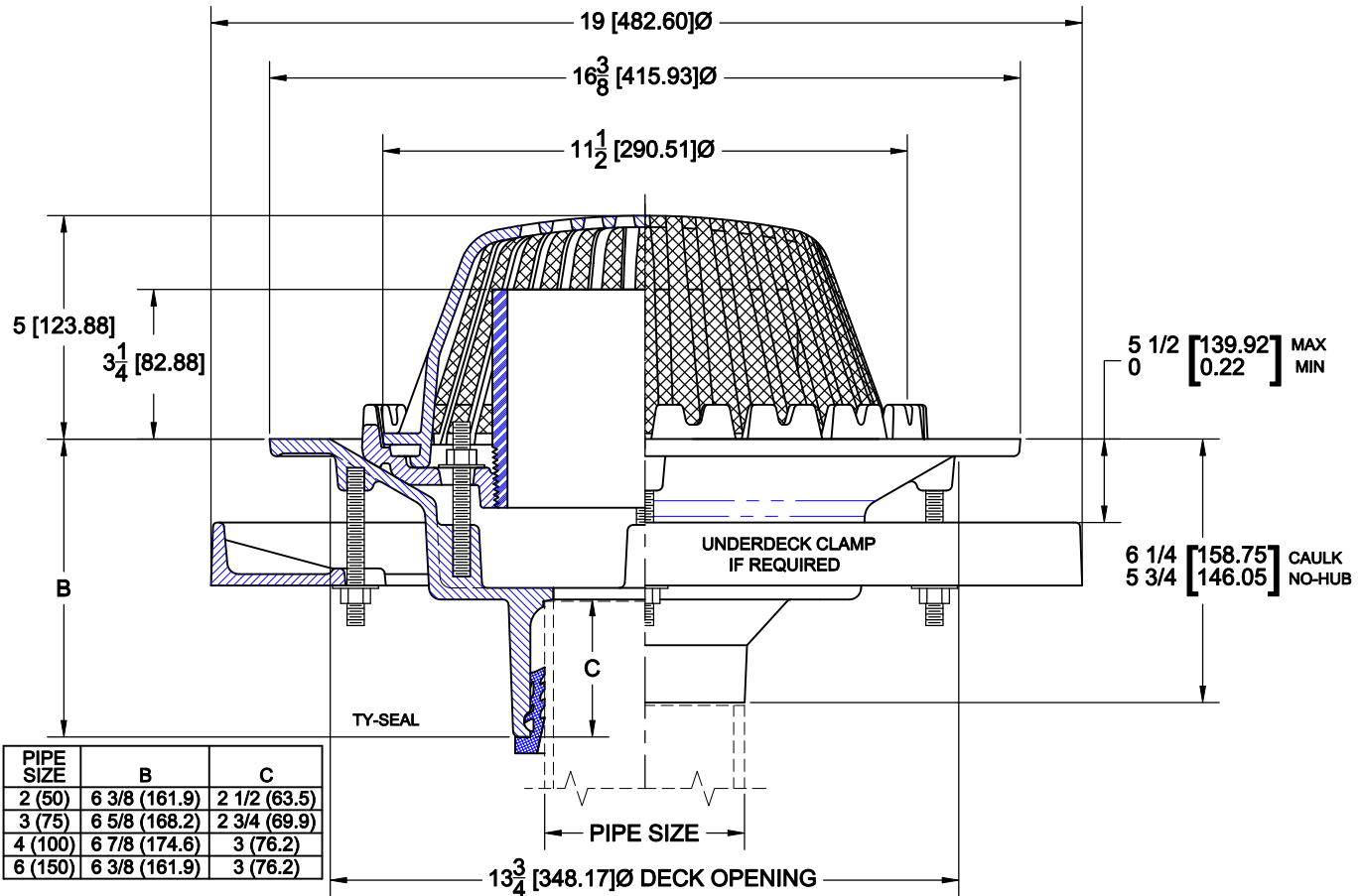
ROOF DRAIN W/ STANDPIPE



3000-SD-50

CAST IRON ROOF DRAIN WITH CLAMPING COLLAR INTEGRAL WITH GRAVEL STOP, POLYPROPYLENE S/S MESH LINED DOME, PVC STANDPIPE AND BOTTOM OUTLET

CONFORMS TO ASME A112.21.2M



OPTIONS

Cat. No.	Pipe Size	Wt. Lbs.
<input type="checkbox"/> 3002-SD-50	2 (50)	55.0
<input type="checkbox"/> 3003-SD-50	3 (75)	58.0
<input type="checkbox"/> 3004-SD-50	4 (100)	59.0
<input type="checkbox"/> 3005-SD-50	5 (125)	60.0
<input type="checkbox"/> 3006-SD-50	6 (150)	62.0

Suffix	Description
<input type="checkbox"/> 3	ROUGH BRONZE DOME
<input type="checkbox"/> 5	VANDAL PROOF
<input type="checkbox"/> 39	GALVANIZED IRON PARTS
<input type="checkbox"/> 46	ALUMINUM DOME
<input type="checkbox"/> 52	BEARING PAN
<input type="checkbox"/> 53	UNDERDECK CLAMP

OUTLETS

<input type="checkbox"/> NH NO-HUB	<input type="checkbox"/> IC INSIDE CAULK (8-10")	<input type="checkbox"/> IPS THREADED (8" ONLY)
------------------------------------	--	---

AutoCad.dwg