

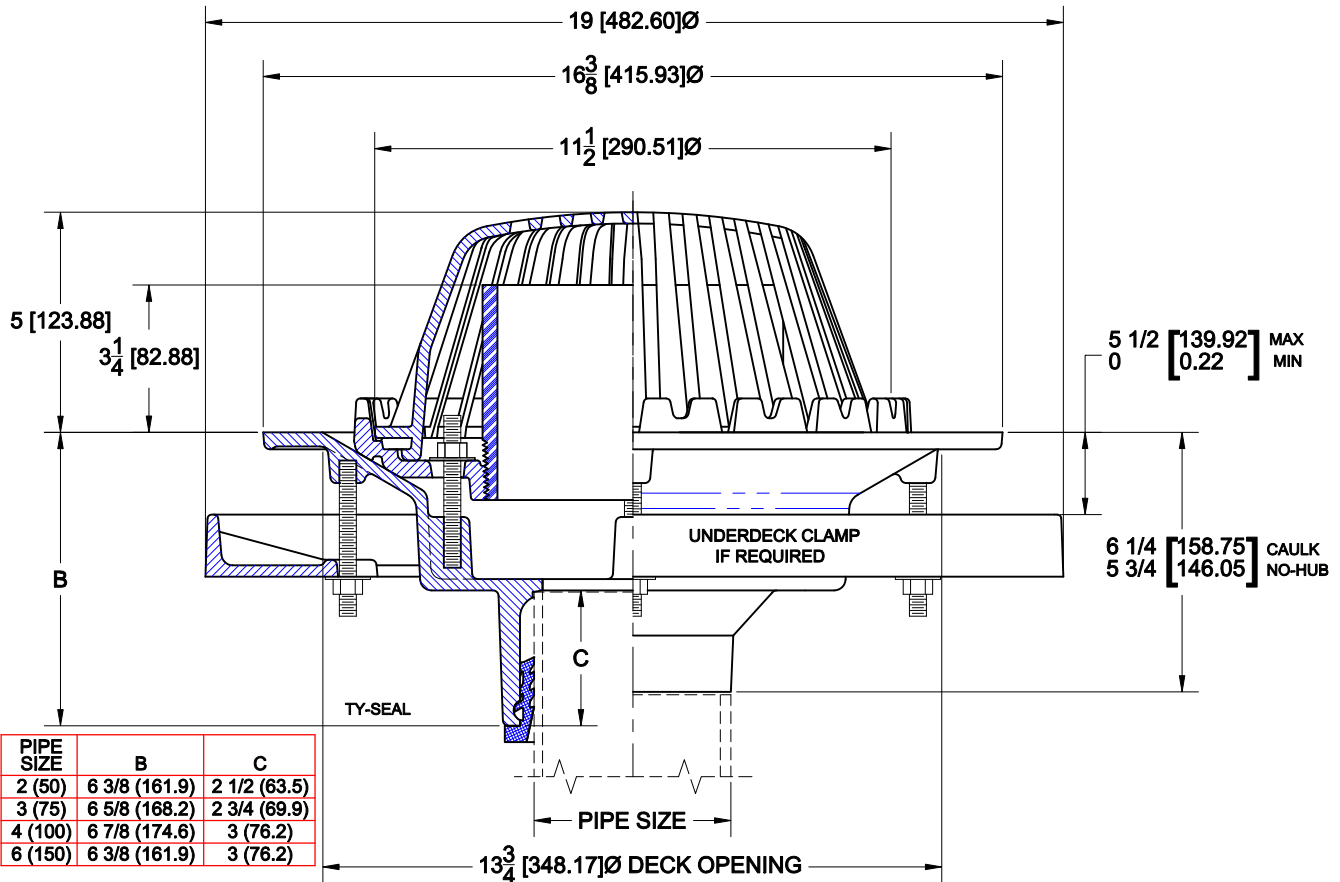
ROOF DRAIN W/ STANDPIPE



3000-SD-42-231

CAST IRON ROOF DRAIN WITH CLAMPING COLLAR INTEGRAL WITH GRAVEL STOP, C.I. MUSHROOM DOME, CAST IRON OR STEEL STANDPIPE AND BOTTOM OUTLET

CONFORMS TO ASME A112.21.2M



OPTIONS

Cat. No.	Pipe Size	Wt. Lbs.	Suffix	Description
<input type="checkbox"/> 3002-SD-42-231	2 (50)	55.0	<input type="checkbox"/> 5	VANDAL PROOF
<input type="checkbox"/> 3003-SD-42-231	3 (75)	58.0	<input type="checkbox"/> 39	GALVANIZED IRON PARTS
<input type="checkbox"/> 3004-SD-42-231	4 (100)	59.0	<input type="checkbox"/> 52	BEARING PAN
<input type="checkbox"/> 3005-SD-42-231	5 (125)	60.0	<input type="checkbox"/> 53	UNDERDECK CLAMP
<input type="checkbox"/> 3006-SD-42-231	6 (150)	62.0		

OUTLETS

- NH NO-HUB
 IC INSIDE CAULK (8-10")
 IPS THREADED (8" ONLY)

AutoCad.dwg