

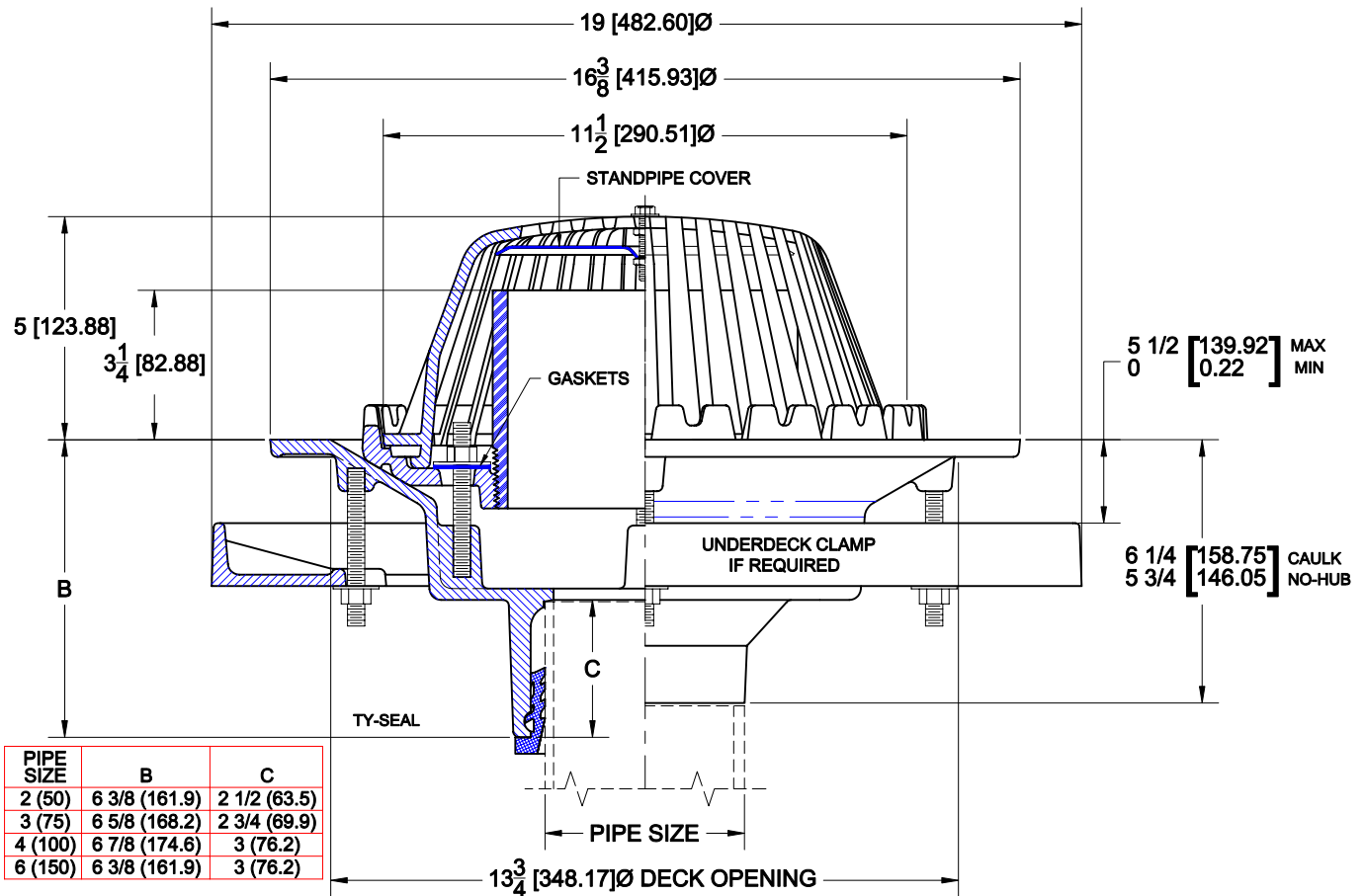
# ROOF DRAIN W/ STANDPIPE



3000-SD-209

CAST IRON ROOF DRAIN WITH CLAMPING COLLAR INTEGRAL WITH GRAVEL STOP, POLYPROPYLENE MUSHROOM DOME, CAST IRON STANDPIPE, STANDPIPE SEALING PACKAGE AND BOTTOM OUTLET

CONFORMS TO ASME A112.21.2M



## OPTIONS

Cat. No.	Pipe Size	Wt. Lbs.	Suffix	Description
<input type="checkbox"/> 3002-SD-209	2 (50)	55.0	<input type="checkbox"/> 3	ROUGH BRONZE DOME
<input type="checkbox"/> 3003-SD-209	3 (75)	58.0	<input type="checkbox"/> 39	GALVANIZED IRON PARTS
<input type="checkbox"/> 3004-SD-209	4 (100)	59.0	<input type="checkbox"/> 42	CAST IRON DOME
<input type="checkbox"/> 3005-SD-209	5 (125)	60.0	<input type="checkbox"/> 46	ALUMINUM DOME
<input type="checkbox"/> 3006-SD-209	6 (150)	62.0	<input type="checkbox"/> 52	BEARING PAN
<input type="checkbox"/> 3008-SD-209	8 (200)	63.0	<input type="checkbox"/> 53	UNDERDECK CLAMP

## OUTLETS

NH NO-HUB     TY TY-SEAL (N/A 8")     IC INSIDE CAULK     IPS THREADED

AutoCad.dwg