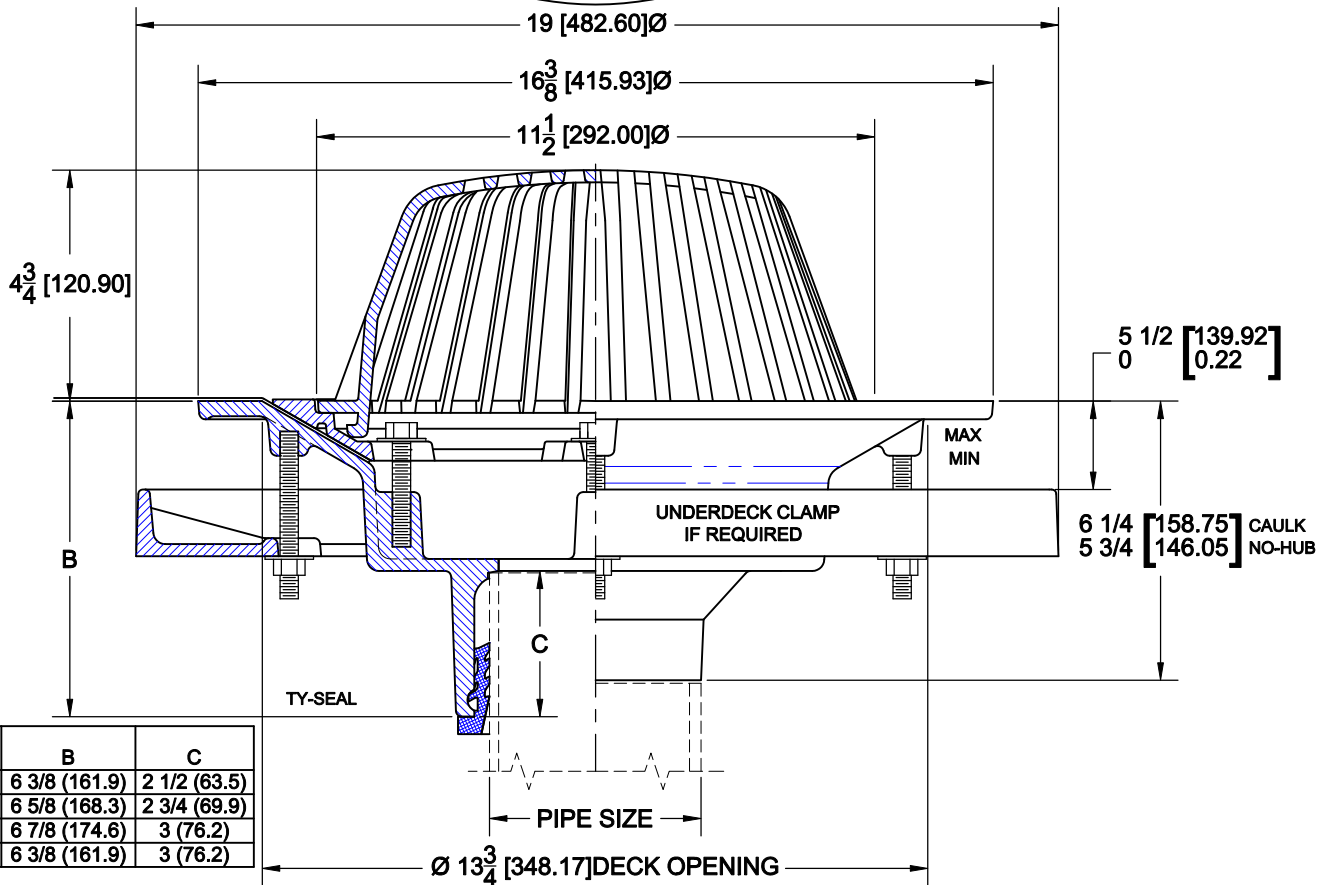
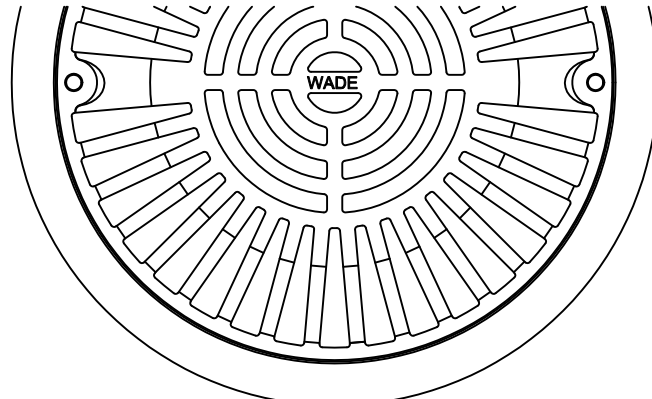


LARGE ROOF DRAIN



3000-LGS

CAST IRON ROOF DRAIN WITH FLANGE, FLASHING RING, POLYPROPYLENE MUSHROOM DOME, AND BOTTOM OUTLET. DESIGNED FOR MEMBRANES WHICH DO NOT REQUIRE GRAVEL BALLAST.



PIPE SIZE	B	C
2	6 3/8 (161.9)	2 1/2 (63.5)
3	6 5/8 (168.3)	2 3/4 (69.9)
4	6 7/8 (174.6)	3 (76.2)
6	6 3/8 (161.9)	3 (76.2)

OPTIONS

Cat. No.	Pipe Size	Wt. Lbs.	Suffix	Description
<input type="checkbox"/> 3002-LGS	2 (50)	42.0	<input type="checkbox"/> 3	BRONZE DOME
<input type="checkbox"/> 3003-LGS	3 (75)	44.0	<input type="checkbox"/> 5	VANDAL PROOF
<input type="checkbox"/> 3004-LGS	4 (100)	45.0	<input type="checkbox"/> 39	GALVANIZED IRON PARTS
<input type="checkbox"/> 3005-LGS	5 (125)	47.0	<input type="checkbox"/> 42	CAST IRON DOME
<input type="checkbox"/> 3006-LGS	6 (150)	48.0	<input type="checkbox"/> 46	ALUMINUM DOME
<input type="checkbox"/> 3008-LGS	8 (200)	48.0	<input type="checkbox"/> 52	BEARING PAN (SUMP RECEIVER)
			<input type="checkbox"/> 53	UNDERDECK CLAMPS

OUTLETS

<input type="checkbox"/> NH NO-HUB (2-8")	<input type="checkbox"/> TY TY-SEAL (2-6")	<input type="checkbox"/> IC INSIDE CAULK (2-6")	<input type="checkbox"/> IPS THREADED (2-8")
---	--	---	--

AutoCad.dwg