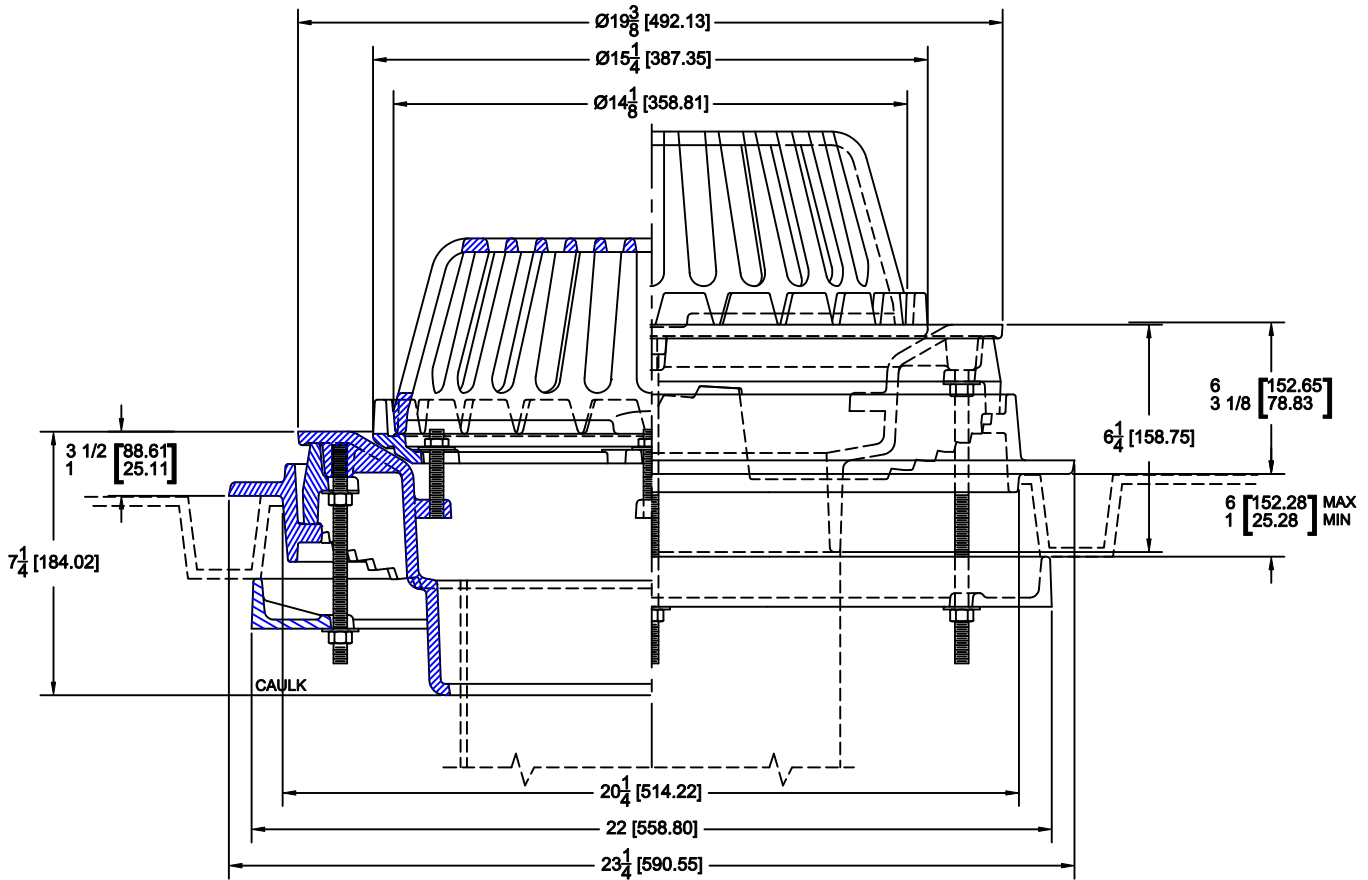


ADJ. WIDE FLANGE ROOF DRAIN



3000-LB-AE

CAST IRON ROOF WITH FLANGE, FLASHING RING INTEGRAL WITH GRAVEL STOP, CAST IRON MUSHROOM DOME, ADJUSTABLE EXTENSION AND BOTTOM OUTLET



			OPTIONS	
Cat. No.	Pipe Size	Wt. Lbs.	Suffix	Description
<input type="checkbox"/> 3008-LB-AE	8 (200)	135.0	<input type="checkbox"/> 3	ROUGH BRONZE DOME
<input type="checkbox"/> 3009-LB-AE	10 (250)	135.0	<input type="checkbox"/> 5	VANDAL PROOF
<input type="checkbox"/> 3012-LB-AE	12 (300)	135.0	<input type="checkbox"/> 39	GALVANIZED IRON PARTS
<input type="checkbox"/>			<input type="checkbox"/> 46	ALUMINUM DOME
			<input type="checkbox"/> 53	DECK CLAMP
			OUTLETS	
			Suffix	Description
			<input type="checkbox"/> NH	NO-HUB
			<input type="checkbox"/> IPS	THREADED (8" ONLY)
			<input type="checkbox"/> IC	INSIDE CAULK (8-10")

AutoCad.dwg